

EAN: 6414150078729

www.oras.com/en/products/oras/product/1009F



Washbasin faucet with high swivel spout and pop-up waste. There are also in-built limitation options for water temperature and maximum flow-rate. F = with flexible pipes

- Bathroom
- Single-lever, side operated
- Deck mounted
- Chrome
- Swivel spout, Swivel range limiting option
- CASCADE® - aerated stream
- Single operating lever/handle, Hot/Cold symbols
- Pop-up waste with draw-rod, Chain holder without chain
- Limitation option for maximum temperature and flow-rate
- ø 40 mm ceramic cartridge for flow and temperature control
- Flexible inlet pipes
- 3S-installation system for safe and simple mounting

Technical data

Flow properties

Flow-rate at 300 kPa	0.17 l/s
Pressure loss with flow (0.1 l/s)	100 kPa

Technical properties

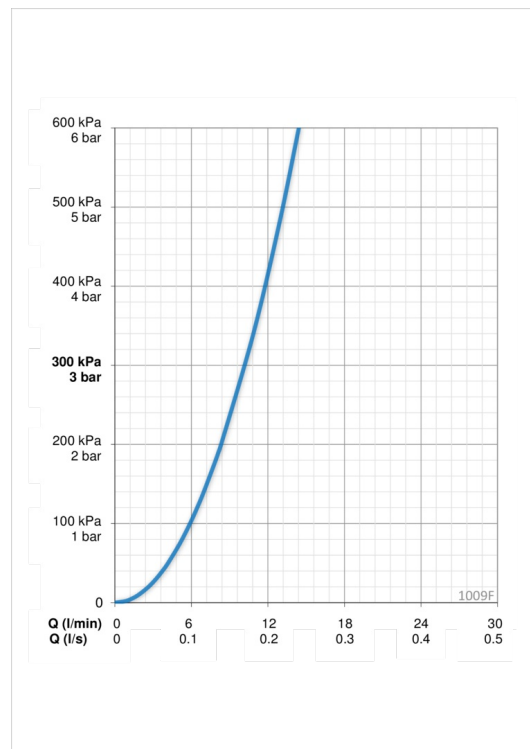
Hot water supply	max. +80°C
Working pressure	50 - 1000 kPa
Connection size	G3/8
Projection	148 mm
Material	Brass

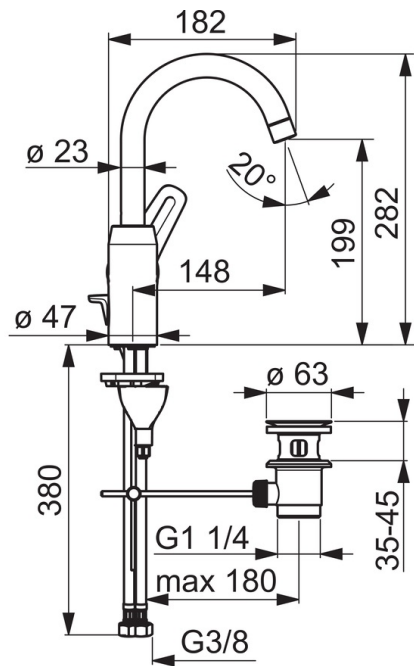
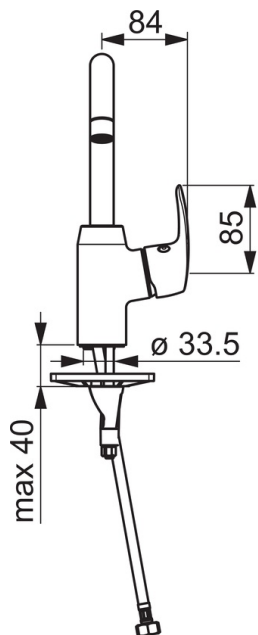
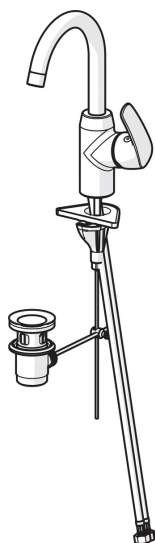
Regulations

EN standard	EN 817
Noise class	I (ISO 3822) Oras lab.

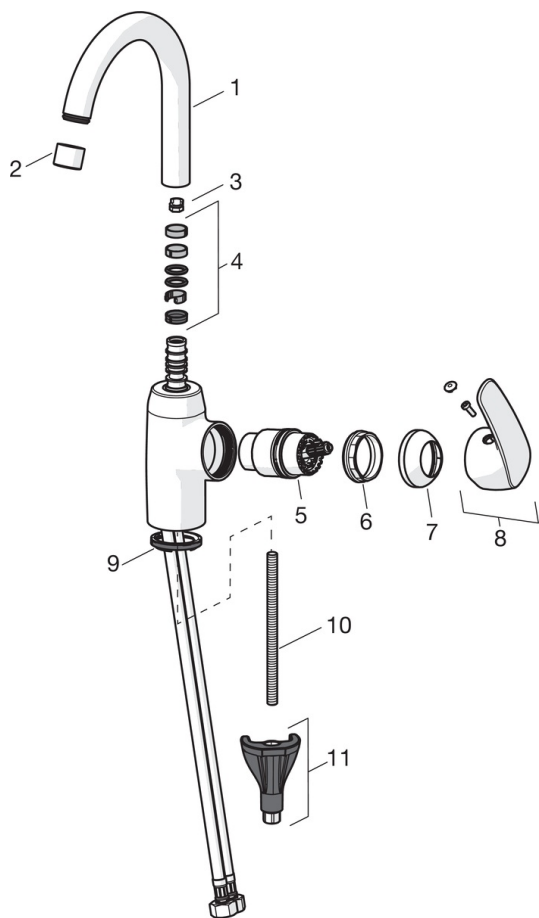
Type approvals

KIWA SE	1490
---------	-------------



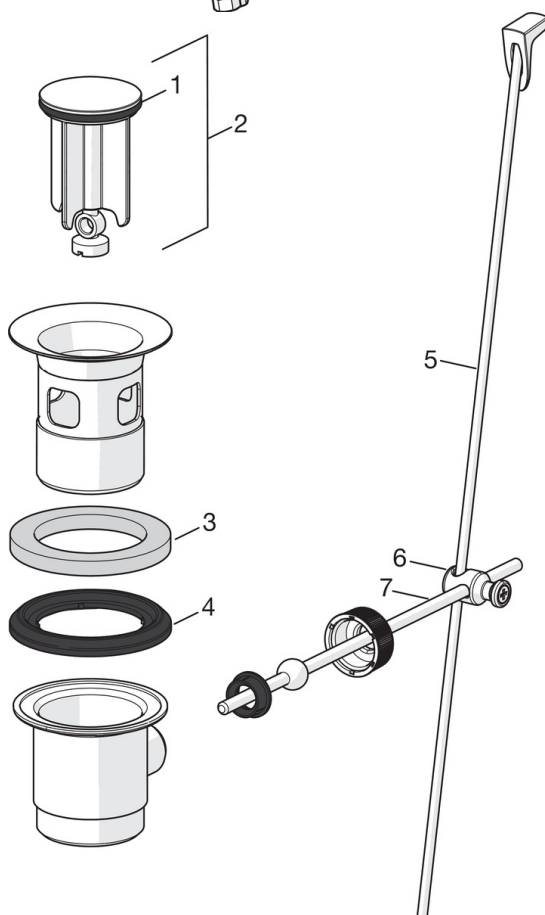


Spare parts



SP1007F

	Name	Code
01	High spout, L=148	1001055V
02	Aerator, STD M22x1 CC A	1001070V
03	Spout overturning stopper, 60°/0°	159667V
03	Spout overturning stopper, 60°/0°	159667/10
03	Spout overturning stopper, 120°	159670/10
04	Sealing kit for spout	1001098V
05	Cartridge	158890
06	Tightening nut	158726
07	Covering cap	602503V
08	Lever	602601V
09	Bottom seal	601971V
10	Fixing screw, M8x1, L=130	1000780V
11	Fixing set	602610V



SP0034

	Name	Code
01	O-ring, 32.7x3	559522/10
02	Plug for pop-up waste	559506
03	Cellular plastic sealing (10 pcs), 60/40x5	559603/10
04	Form sealing, D60xD44	559536
05	Pop-up operating rod, L=380	559529
05	Pop-up operating rod, Safira	1000681V
05	Pop-up operating rod, L=400	559590
05	Pop-up operating rod, Ventura	559595V
05	Pop-up operating rod Satin	159008V-60
05	Pop-up operating rod, Vienda	159008V
06	Swivel joint	559523
07	Lever for pop-up waste	559591