

EAN: 6414150078583

www.oras.com/en/products/oras/product/1010



Washbasin faucet with fixed spout and aerator. There are also in-built limitation options for water temperature and maximum flow-rate.

- Bathroom
- Single lever
- Deck mounted
- Chrome
- Fixed spout
- Single operating lever/handle
- Limitation option for maximum temperature and flow-rate

Technical data

Flow properties

Flow-rate at 300 kPa	0.2 l/s
Pressure loss with flow (0.1 l/s)	75 kPa

Technical properties

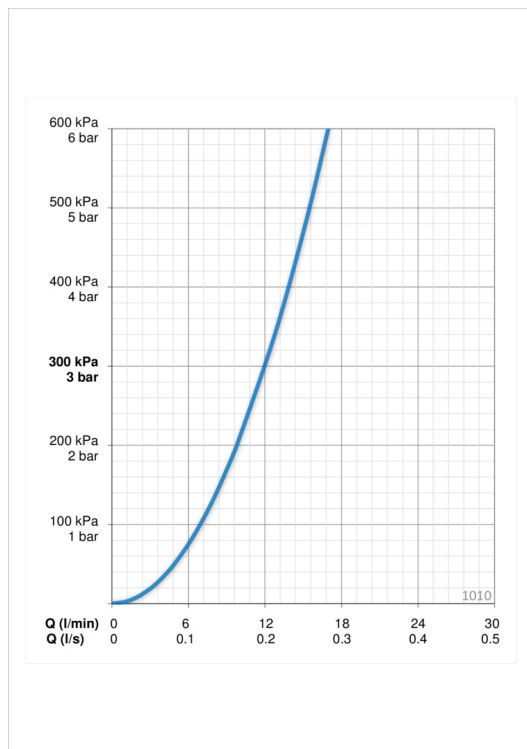
Hot water supply	max. +80°C
Working pressure	50 - 1000 kPa
Connection size	Ø10 mm
Projection	107 mm
Material	brass

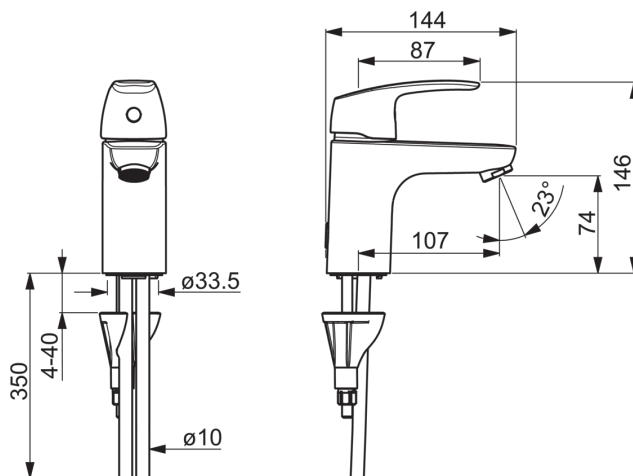
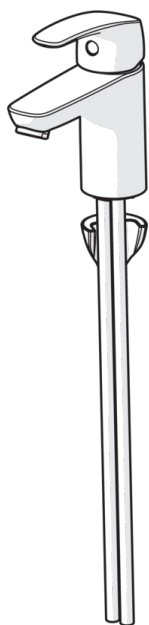
Regulations

EN standard	EN 817
Noise class	I (ISO 3822)

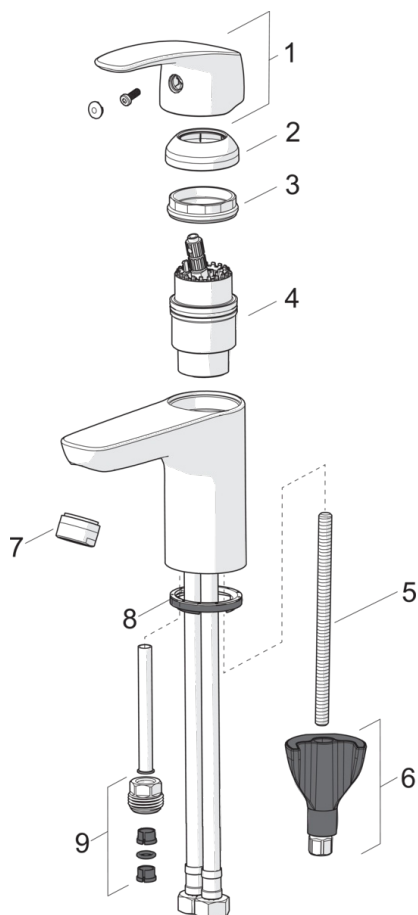
Type approvals

STF certificate	VTT-RTH-00090-17
KIWA SE	1490





Spare parts



SP1012F

	Name	Code
01	Lever	602502V
02	Covering cap	1000664V
03	Tightening nut	158726
04	Cartridge	158890
05	Fixing screw, M8x1, L=130	1000780V
06	Fixing set	602610V
07	Aerator, M24 x 1 STD HC A	232211
08	Bottom seal	601971V
09	Nipple	159684