

Cold water faucet with swivel spout and aerator

- Kitchen
- Single-lever
- Deck mounted
- Chrome
- Swivel spout
- Single operating lever/handle
- Ceramic head part for flow control
- One inlet for cold or premixed water



Technical data

Flow properties

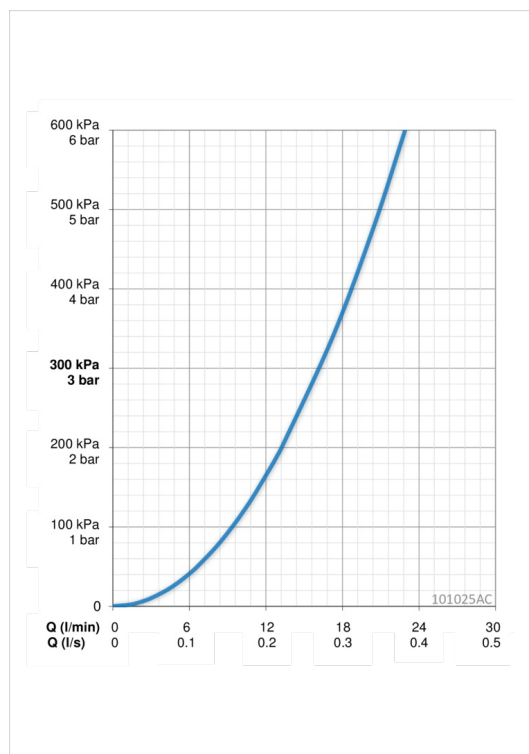
Flow-rate at 300 kPa	0.27 l/s
Pressure loss with flow (0.2 l/s)	165 kPa

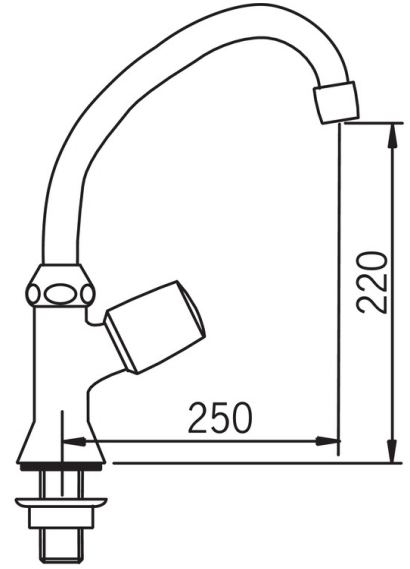
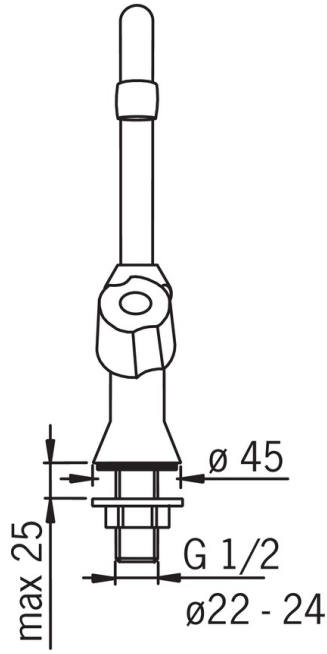
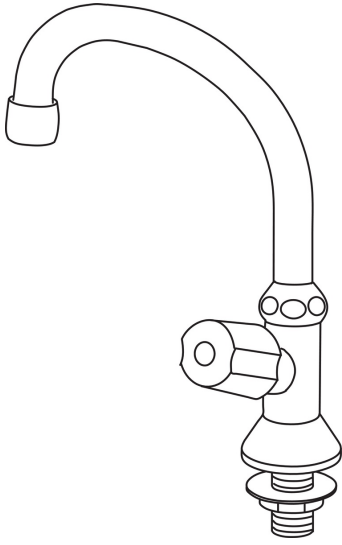
Technical properties

Hot water supply	max. +20°C
Working pressure	50 - 1000 kPa
Connection size	G1/2
Projection	250 mm
Material	Brass

Regulations

EN standard	EN 200 , EN 817
Noise class	II (ISO 3822) Oras lab.





Spare parts



SP0043

	Name	Code
01	O-ring, 13.6x2.4	469360/10
02	Bushing (10 pcs), 18/20.6	219595/10
03	Retaining ring (10 pcs)	219576/10
04	Aerator, M22x1	232201

SP101025AC

	Name	Code
01	Handle	201150A
02	Headpart	109090V