

EAN: 6414150078606
static.oras.com/1010F-104



- Green Building
- Single-lever, Green Building
- Deck mounted
- Chrome
- Standard aerator
- Single operating lever/handle, Hot/Cold symbols
- Chain holder without chain
- Limitation option for maximum temperature and flow-rate
- \varnothing 40 mm ceramic cartridge for flow and temperature control
- Flexible inlet pipes
- 3S-installation system for safe and simple mounting

Technical data

Flow properties

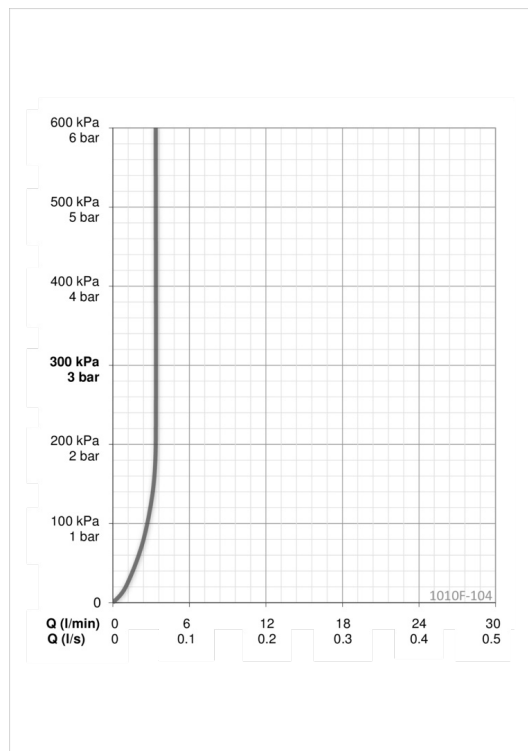
Flow-rate at 300 kPa (with flow controller) **0.056 l/s**

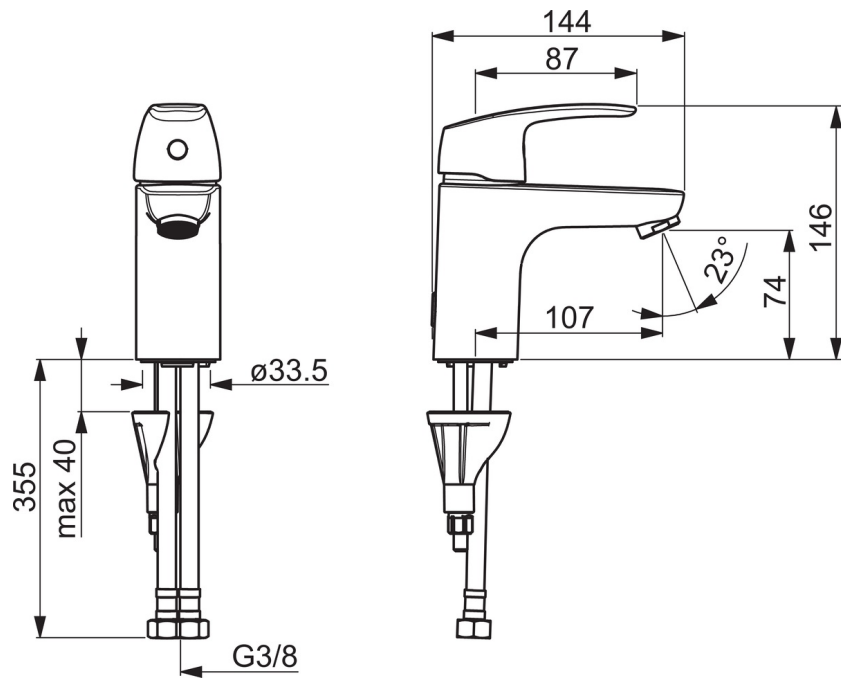
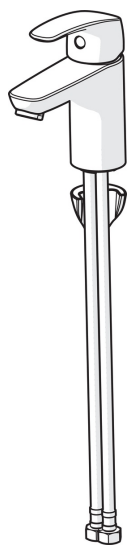
Technical properties

Hot water supply **max. +80°C**
 Working pressure **50 - 1000 kPa**

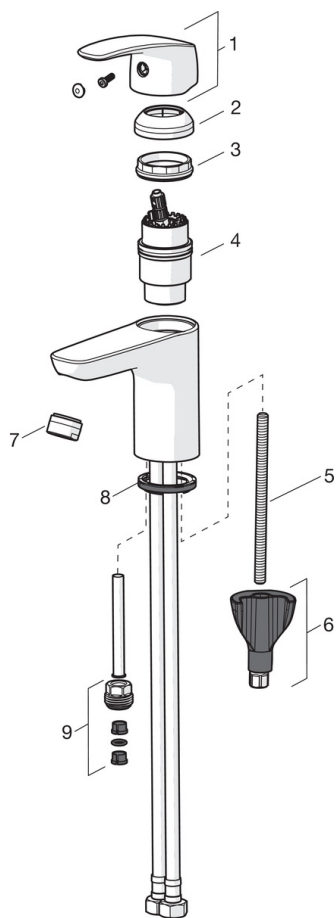
Regulations

EN standard **EN 817**
 Noise class **I (ISO 3822) Oras lab.**





Spare parts



SP1012F-104

Name	Code
01 Lever	602502V
02 Covering cap	1000664V
03 Tightening nut	158726
04 Cartridge, Green building	600979V
05 Fixing screw, M8x1, L=130	1000780V
06 Fixing set	602610V
07 Aerator, M24x1, -104	601434V
08 Bottom seal	1002371V
09 Nipple	159684