

EAN: 6414150071065

www.oras.com/en/products/oras/product/1010F-104J-01



- Bathroom
- Single-lever
- Deck mounted
- Chrome
- Standard aerator
- Single operating lever/handle, Hot/Cold symbols
- Chain holder without chain
- Flexible inlet pipes

Technical data

Flow properties

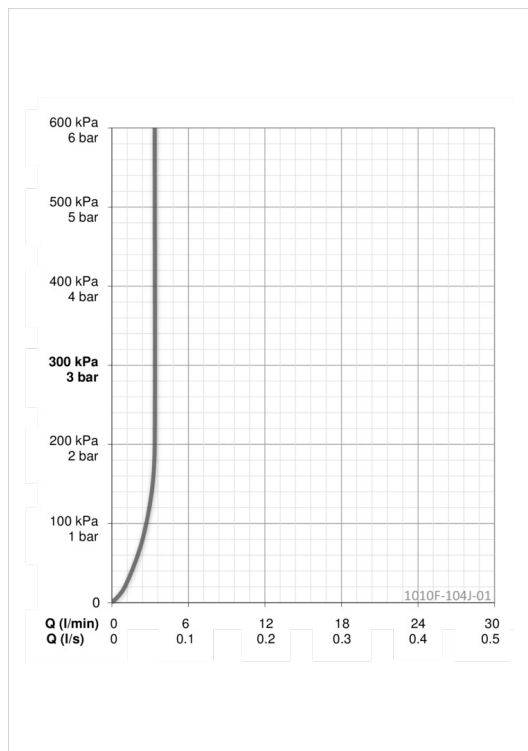
Flow-rate at 300 kPa (with flow controller) **0.056 l/s**

Technical properties

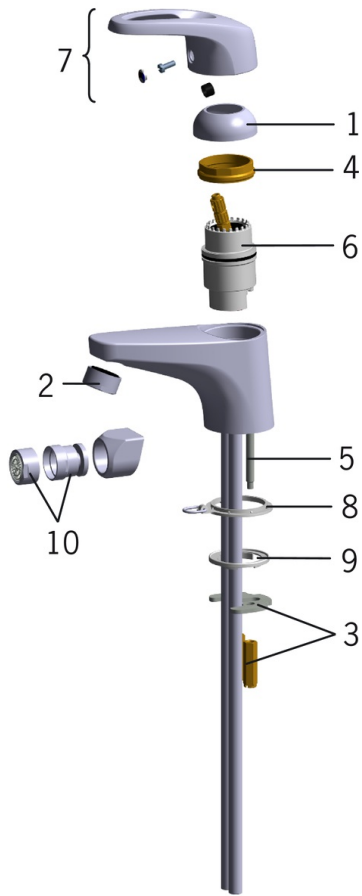
Hot water supply **max. +80°C**
 Working pressure **50 - 1000 kPa**

Regulations

EN standard **EN 817**
 Noise class **I (ISO 3822) Oras lab.**



Spare parts



SP1010F-104

	Name	Code
01	Covering cap	158174
02	Aerator, M24x1, -104	601434V
03	Fixing plates with nuts	158697
04	Tightening nut	158726
05	Fixing screw (10 pcs), M6x55	158727/10
06	Cartridge, Green building	600979V
07	Lever	600284V
08	Washer with chain holder	158193
09	Washer set	159425/10
10	Aerator with ball joint, M24x1/M24x1	232511