

EAN: 6414150078590

[www.oras.com/en/products/oras/product/1010F](http://www.oras.com/en/products/oras/product/1010F)



Washbasin faucet with fixed spout and aerator. There are also in-built limitation options for water temperature and maximum flow-rate. F = with flexible pipes

- Bathroom
- Single lever, top operated
- Deck mounted
- Chrome
- Fixed spout
- HONEYCOMB® - improved lime protection
- Single operating lever/handle, Hot/Cold symbols
- Chain holder without chain
- Limitation option for maximum temperature and flow-rate
- 40 mm ceramic cartridge for flow and temperature control
- 3S-installation system for safe and simple mounting

## Technical data

### Flow properties

Flow-rate at 300 kPa	<b>0.18 l/s</b>
Pressure loss with flow (0.1 l/s)	<b>95 kPa</b>

### Technical properties

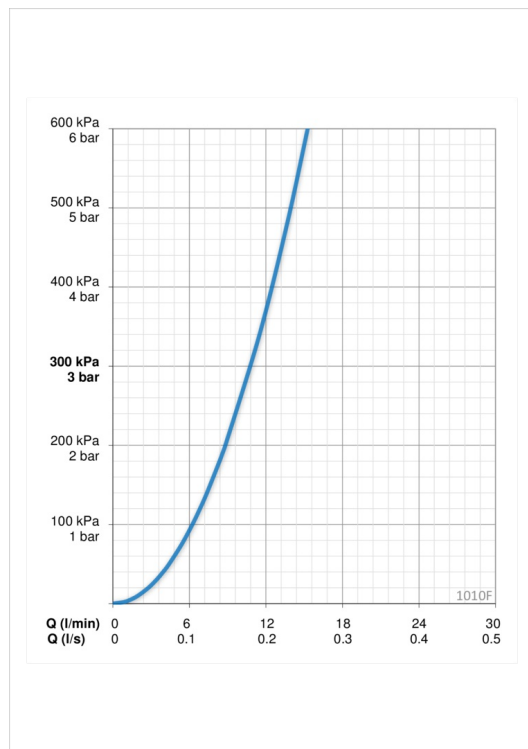
Hot water supply	<b>max. +80°C</b>
Working pressure	<b>50 - 1000 kPa</b>
Connection size	<b>G3/8</b>
Projection	<b>107 mm</b>
Material	<b>brass</b>

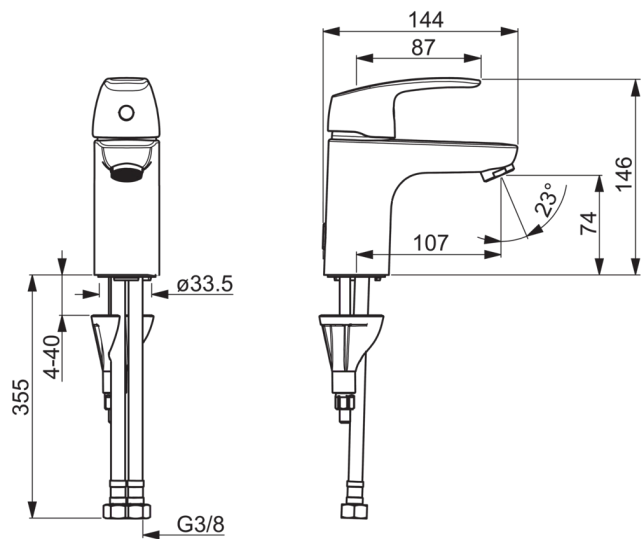
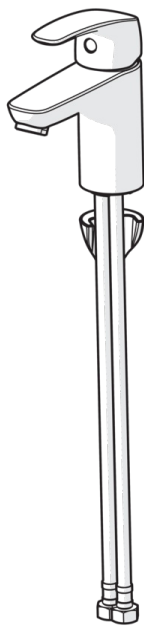
### Regulations

EN standard	<b>EN 817</b>
Noise class	<b>I (ISO 3822) Oras lab.</b>

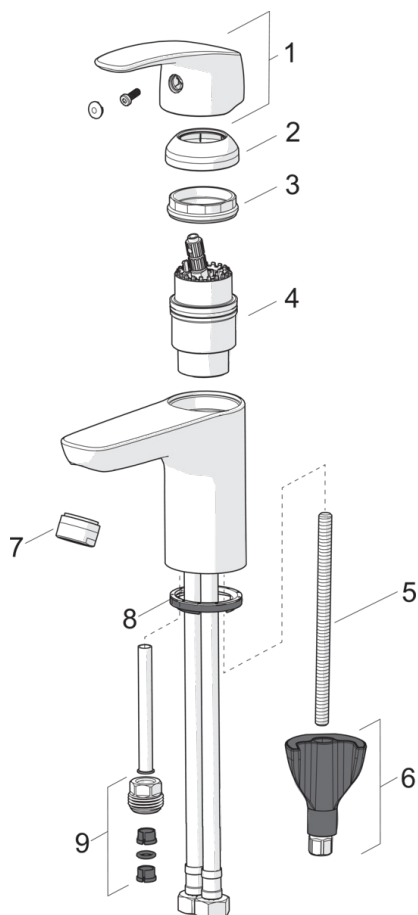
### Type approvals

KIWA SE	<b>1490</b>
---------	-------------





## Spare parts



### SP1012F

	Name	Code
01	Lever	602502V
02	Covering cap	1000664V
03	Tightening nut	158726
04	Cartridge	158890
05	Fixing screw, M8x1, L=130	1000780V
06	Fixing set	602610V
07	Aerator, M24 x 1 STD HC A	232211
08	Bottom seal	601971V
09	Nipple	159684