

EAN: 6414150078767

www.oras.com/en/products/oras/product/1013

Washbasin faucet with washing machine valve. Swivel spout and aerator. Spout's swing angle is factory preset at 120° (can be limited to 40°-80°). Dishwasher valve for cold water. There are also in-built limitation options for water temperature and maximum flow-rate.



- Bathroom, Utility room
- Single lever, top operated
- Deck mounted
- Chrome
- Swivel spout, Swivel range limiting option
- Mechanic stop valve for external equipment
- Single operating lever/handle, Hot/Cold symbols
- Limitation option for maximum temperature and flow-rate, Adjustable hot water stop (retrofitable)
- 40 mm ceramic cartridge for flow and temperature control
- 3S-installation system for safe and simple mounting

Technical data

Flow properties

Flow-rate at 300 kPa	0.2 l/s
Pressure loss with flow (0.1 l/s)	75 kPa

Technical properties

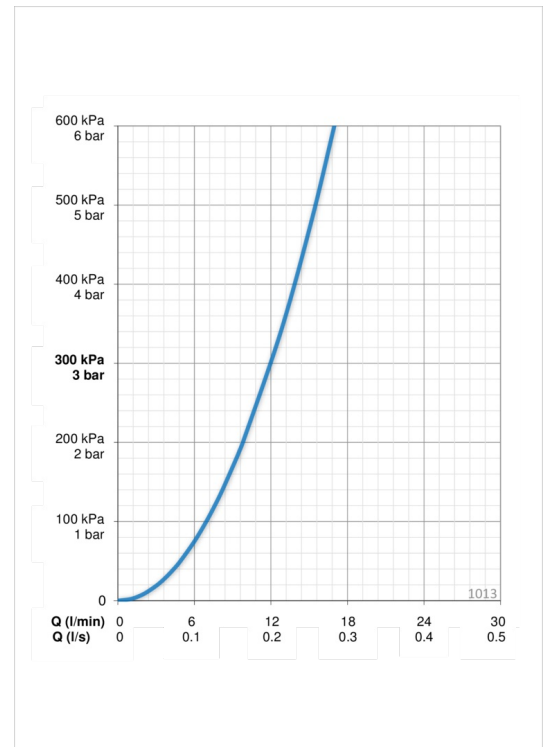
Hot water supply	max. +80°C
Working pressure	50 - 1000 kPa
Connection size	G1/2
Projection	133 mm
Material	Brass

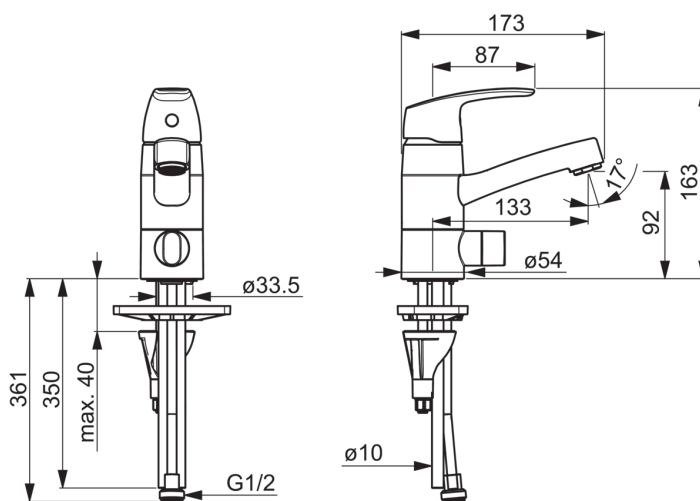
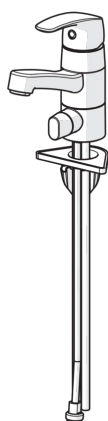
Regulations

EN standard	EN 817
Noise class	I (ISO 3822)

Type approvals

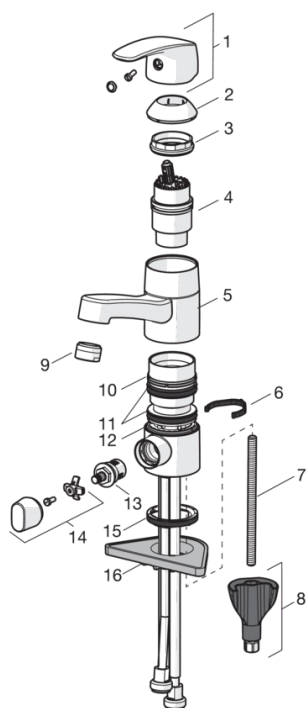
STF certificate	VTT-RTH-00090-17
KIWA SE	1490





Spare parts

SP1014



	Name	Code
01	Lever	602502V
02	Covering cap	602589V
03	Tightening nut	158726
04	Cartridge	158890
05	Spout, L=132	602520V
06	Spout overturning stopper, 120°	1001406/10
06	Spout overturning stopper, 40°- 80°	1002207/10
07	Fixing screw, M8x1, L=130	1000780V
08	Fixing set	602610V
09	Aerator, M24 x 1 STD HC A	232211
10	Bearing ring	601097/10
11	X-sealing set	158735
12	Bearing ring	159423/10
13	Headpart, G1/2	602600V
14	Handle for washing machine valve	602587V
15	Bottom seal	1001405V
15	Bottom seal	1002371V
16	Supporting plate, 100x60mm	158825