

EAN: 6414150086625
static.oras.com/1030F-104



- GreenBuilding
- Single-lever, Green Building
- Deck mounted
- Chrome
- Standard aerator
- Single operating lever/handle, Hot/Cold symbols
- Limitation option for maximum temperature and flow-rate
- \varnothing 40 mm ceramic cartridge for flow and temperature control
- 3S-installation system for safe and simple mounting

Technical data

Flow properties

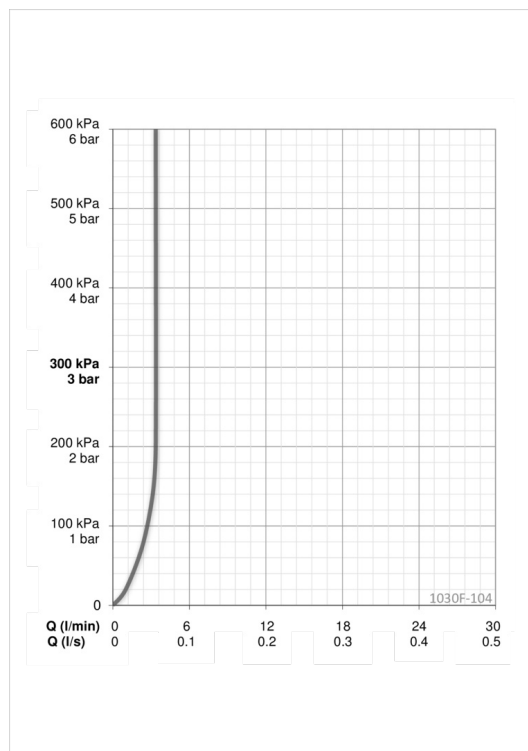
Flow-rate at 300 kPa (with flow controller) **0.056 l/s**

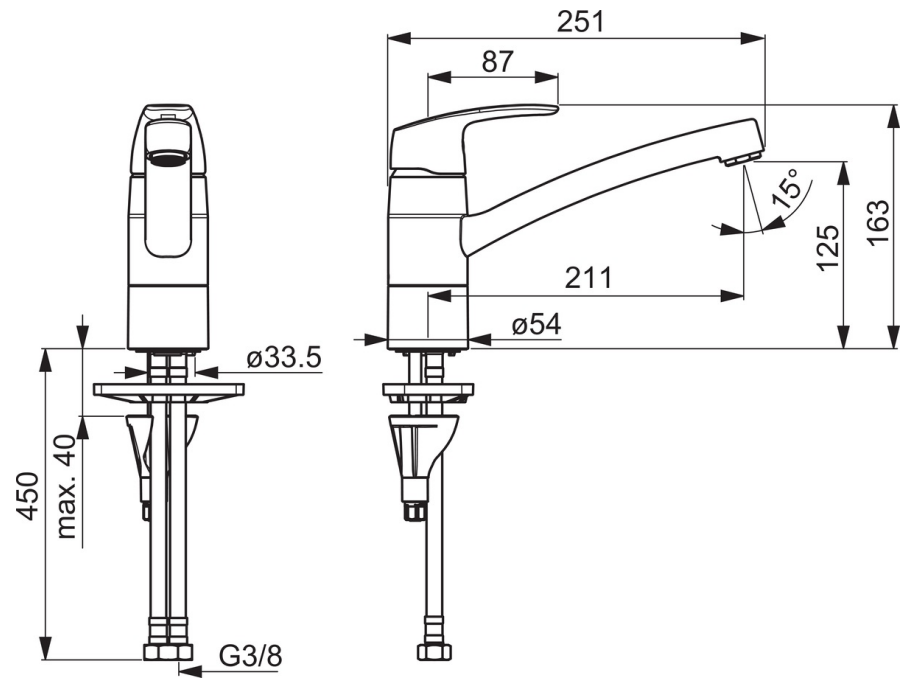
Technical properties

Hot water supply **max. +80°C**
 Working pressure **50 - 1000 kPa**
 Connection size **G3/8**
 Projection **211 mm**
 Material **Brass**

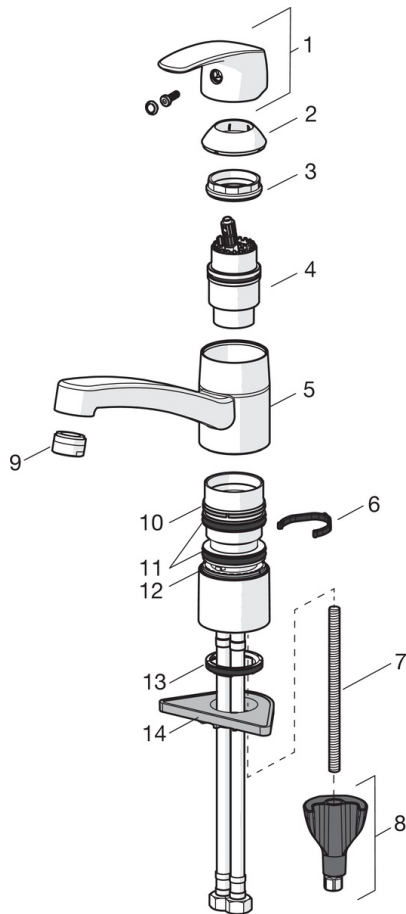
Regulations

EN standard **EN 817**
 Noise class **I (ISO 3822) Oras lab.**





Spare parts



SP1030F

	Name	Code
01	Lever	602502V
02	Covering cap	602589V
03	Tightening nut	158726
04	Cartridge	158890
04	Cartridge, Green building	600979V
05	Spout, L=210	1005585V
06	Spout overturning stopper, 40° - 80°	1002207/10
06	Spout overturning stopper, 120°	1001406/10
07	Fixing screw, M8x1, L=130	1000780V
08	Fixing set	602610V
09	Aerator, M24x1, -105	601166V
09	Aerator, M24x1 STD HC B	232210
09	Aerator, M24x1, -104	601434V
10	Bearing ring	601097/10
11	X-sealing set	158735
12	Bearing ring	159423/10
13	Bottom seal	1002371V
14	Supporting plate, 100x60mm	158825