

EAN: 6414150096303
static.oras.com/1030FS



- Kitchen
- Single-lever
- Deck mounted
- Chrome
- Swivel spout, Swivel range limiting option, Profile construction
- Standard aerator
- Single operating lever/handle, Hot/Cold symbols
- Limitation option for maximum temperature and flow-rate
- \varnothing 40 mm ceramic cartridge for flow and temperature control
- Flexible inlet pipes
- Inner body made of DZR brass, 3S-installation system for safe and simple mounting

Technical data

Flow properties

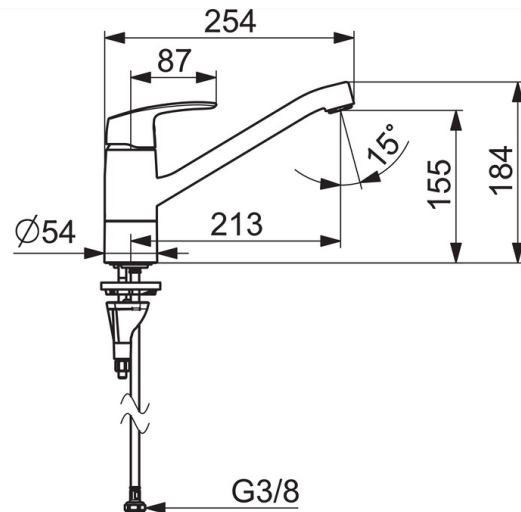
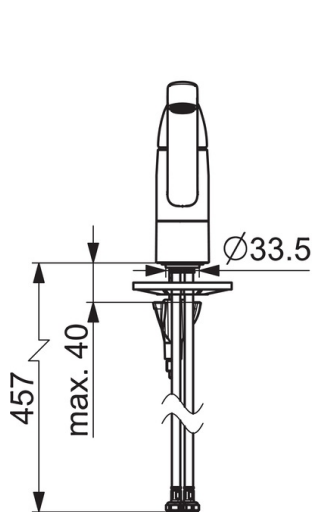
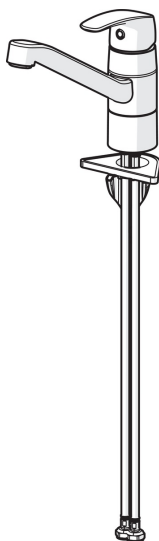
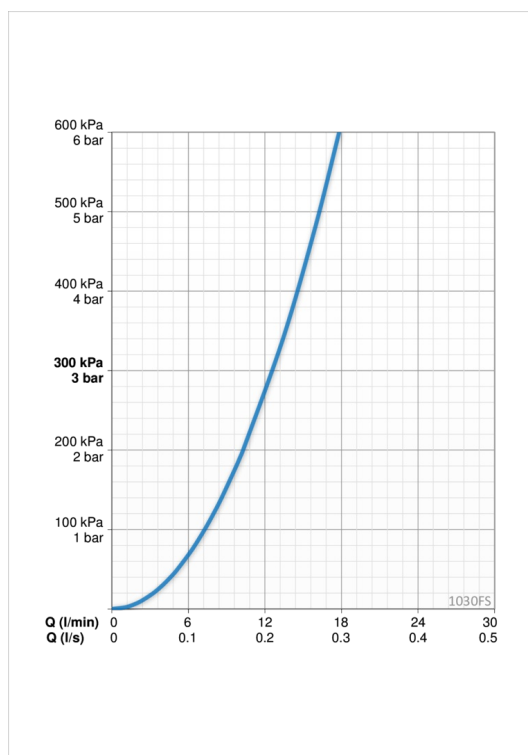
Flow-rate at 300 kPa	0.21 l/s
Pressure loss with flow (0.2 l/s)	270 kPa

Technical properties

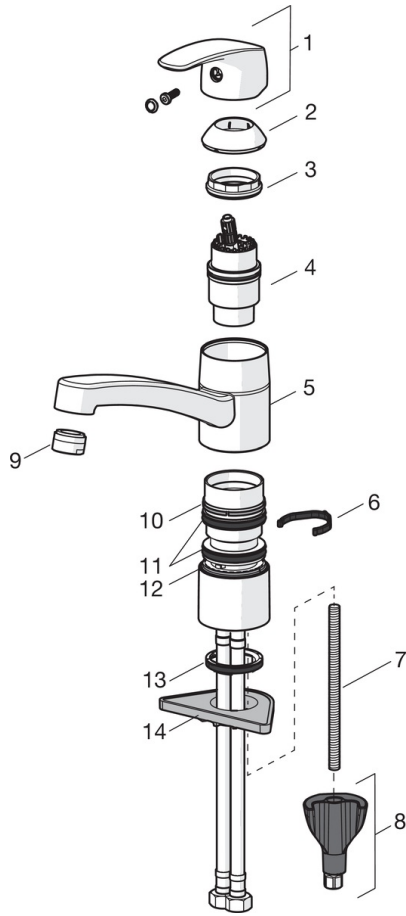
Hot water supply	max. +80°C
Working pressure	50 - 1000 kPa
Connection size	G3/8
Projection	213 mm
Material	Brass

Regulations

EN standard	EN 817
Noise class	I (ISO 3822) Oras lab.



Spare parts



SP1030F

	Name	Code
01	Lever	602502V
02	Covering cap	602589V
03	Tightening nut	158726
04	Cartridge	158890
04	Cartridge, Green building	600979V
05	Spout, L=210	1005585V
06	Spout overturning stopper, 40° - 80°	1002207/10
06	Spout overturning stopper, 120°	1001406/10
07	Fixing screw, M8x1, L=130	1000780V
08	Fixing set	602610V
09	Aerator, M24x1, -105	601166V
09	Aerator, M24x1 STD HC B	232210
09	Aerator, M24x1, -104	601434V
10	Bearing ring	601097/10
11	X-sealing set	158735
12	Bearing ring	159423/10
13	Bottom seal	1002371V
14	Supporting plate, 100x60mm	158825