

EAN: 6414150096297
static.oras.com/1030S



- Kitchen
- Single-lever
- Deck mounted
- Chrome
- Swivel spout, Swivel range limiting option, Profile construction
- Standard aerator
- Single operating lever/handle, Hot/Cold symbols
- Limitation option for maximum temperature and flow-rate
- \varnothing 40 mm ceramic cartridge for flow and temperature control
- Copper inlet pipes
- Inner body made of DZR brass, 3S-installation system for safe and simple mounting

Technical data

Flow properties

| | |
|-----------------------------------|-----------------|
| Flow-rate at 300 kPa | 0.27 l/s |
| Pressure loss with flow (0.2 l/s) | 160 kPa |

Technical properties

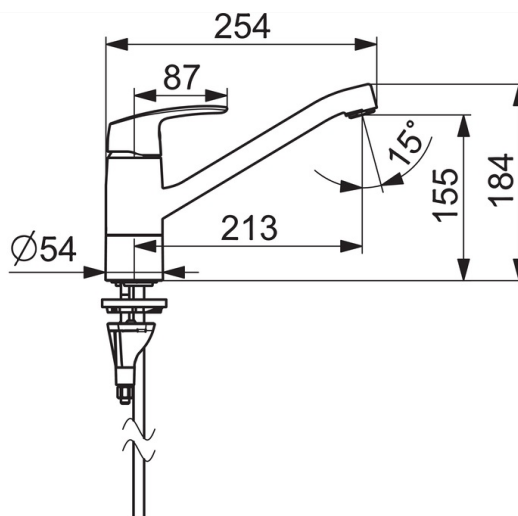
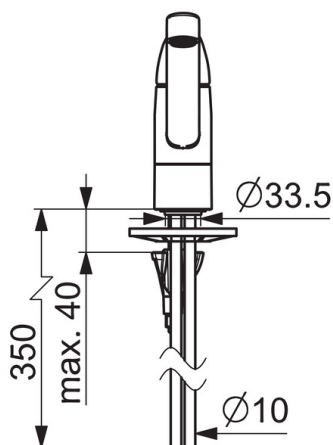
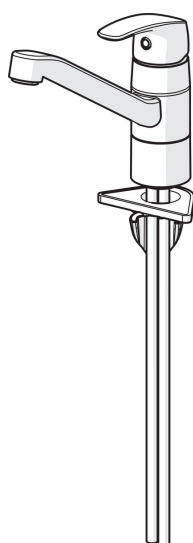
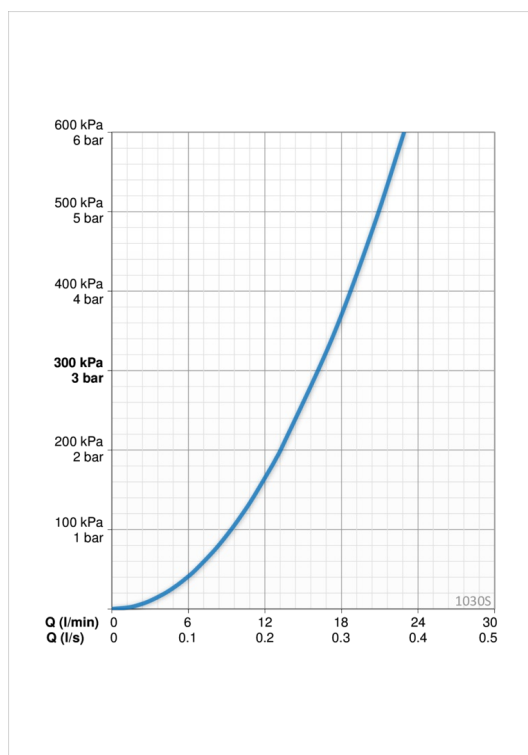
| | |
|------------------|--------------------------------------|
| Hot water supply | max. +80°C |
| Working pressure | 50 - 1000 kPa |
| Connection size | \varnothing10 mm |
| Projection | 213 mm |
| Material | Brass |

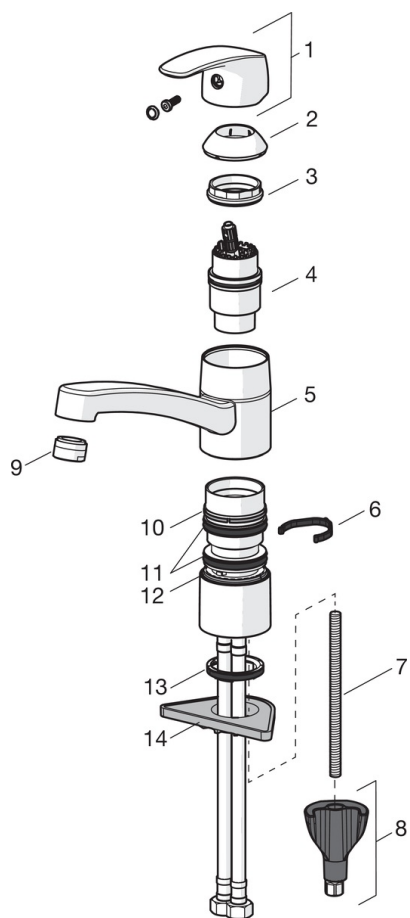
Regulations

| | |
|-------------|---------------------|
| EN standard | EN 817 |
| Noise class | I (ISO 3822) |

Approvals and Declarations

| | |
|-----------------|--------------------------|
| STF certificate | EUFI-RTH-00090-17 |
|-----------------|--------------------------|





SP1030F

| | Name | Code |
|----|--------------------------------------|------------|
| 01 | Lever | 602502V |
| 02 | Covering cap | 602589V |
| 03 | Tightening nut | 158726 |
| 04 | Cartridge | 158890 |
| 04 | Cartridge, Green building | 600979V |
| 05 | Spout, L=210 | 1005585V |
| 06 | Spout overturning stopper, 40° - 80° | 1002207/10 |
| 06 | Spout overturning stopper, 120° | 1001406/10 |
| 07 | Fixing screw, M8x1, L=130 | 1000780V |
| 08 | Fixing set | 602610V |
| 09 | Aerator, M24x1, -105 | 601166V |
| 09 | Aerator, M24x1 STD HC B | 232210 |
| 09 | Aerator, M24x1, -104 | 601434V |
| 10 | Bearing ring | 601097/10 |
| 11 | X-sealing set | 158735 |
| 12 | Bearing ring | 159423/10 |
| 13 | Bottom seal | 1002371V |
| 14 | Supporting plate, 100x60mm | 158825 |