

EAN: 6414150078941

[www.oras.com/en/products/oras/product/1039](http://www.oras.com/en/products/oras/product/1039)

Kitchen faucet with high spout and dishwasher valve with ceramic cartridge 90° rotation for ON/OFF. Swivel spout and aerator. Spout's swing angle is factory preset at 120° (can be limited to 0° or 60°). The spout can be fixed in position on the left or right or at the back of the faucet. There are also in-built limitation options for water temperature and maximum flow-rate.



- Kitchen
- Single-lever
- Deck mounted
- Chrome
- Swivel spout, Swivel range limiting option
- Mechanic stop valve for external equipment
- Single operating lever/handle, Hot/Cold symbols
- Limitation option for maximum temperature and flow-rate
- ø 40 mm ceramic cartridge for flow and temperature control
- 3S-installation system for safe and simple mounting

## Technical data

### Flow properties

Flow-rate at 300 kPa	<b>0.27 l/s</b>
Pressure loss with flow (0.2 l/s)	<b>160 kPa</b>

### Technical properties

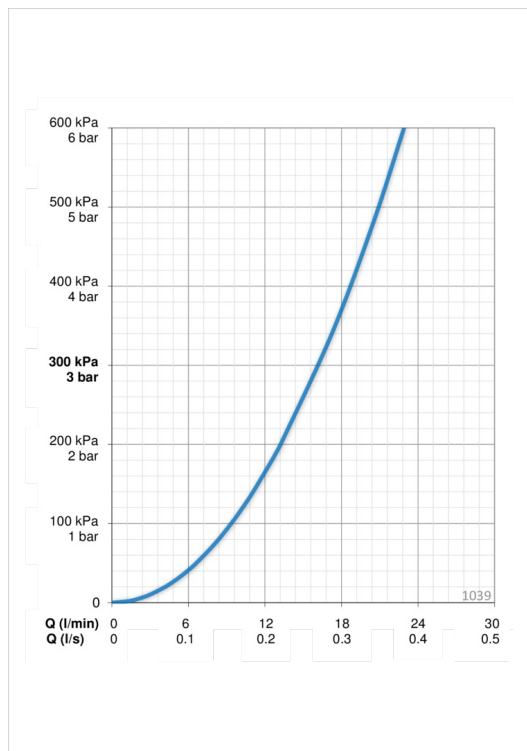
Hot water supply	<b>max. +80°C</b>
Working pressure	<b>50 - 1000 kPa</b>
Connection size	<b>Ø10 mm</b>
Projection	<b>178 mm</b>
Material	<b>Brass</b>

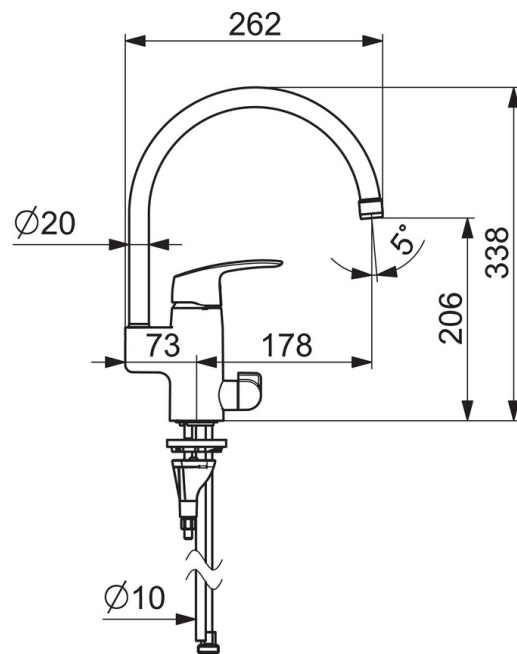
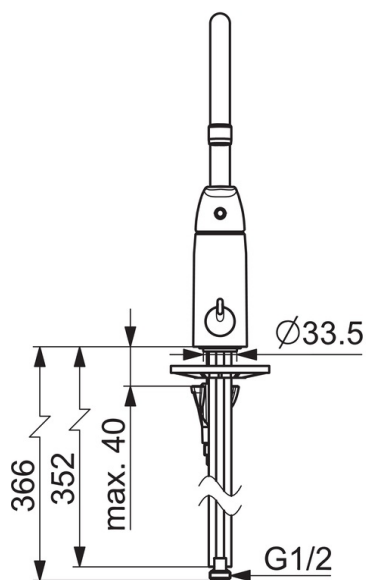
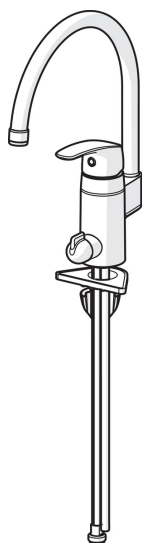
### Regulations

EN standard	<b>EN 817</b>
Noise class	<b>I (ISO 3822)</b>

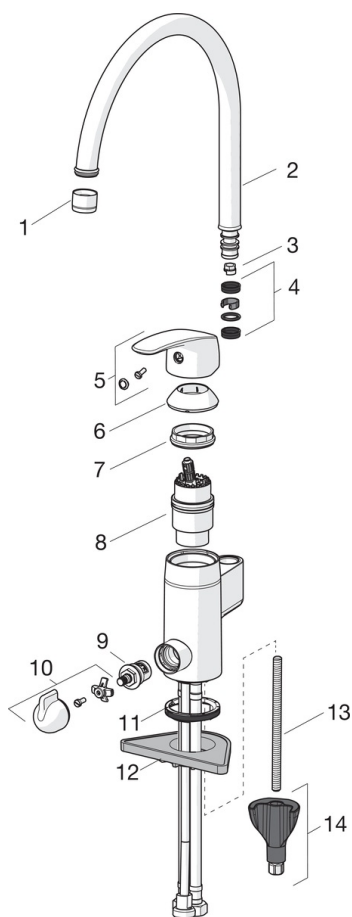
### Type approvals

STF certificate	<b>VTT-RTH-00090-17</b>
KIWA SE	<b>1491</b>





## Spare parts



### SP1039F

	Name	Code
01	Aerator, M22x1	232201
02	Spout	159695V
03	Spout overturning stopper, 120°	159670/10
03	Spout overturning stopper, 60°/0°	159667/10
03	Spout overturning stopper, 60°/0°	159667V
04	Sealing kit	159499
05	Lever	602502V
06	Covering cap	602589V
07	Tightening nut	158726
08	Cartridge	158890
09	Headpart, G1/2	602600V
10	Handle for washing machine valve	1005697V
11	Bottom seal	601971V
12	Supporting plate, 100x60mm	158825
13	Fixing screw, M8x1, L=130	1000780V
14	Fixing set	602610V