

EAN: 6414150079306
static.oras.com/1044C



Cover part for bath and shower faucet fitting to body part 2080 / 2081

- Bath tub & Shower
- Trim Kit, Single-lever
- Concealed wall mounting
- Chrome
- Turn operated diverter
- Limitation option for maximum temperature and flow-rate
- \varnothing 40 mm ceramic cartridge for flow and temperature control
- Roundwallrosette

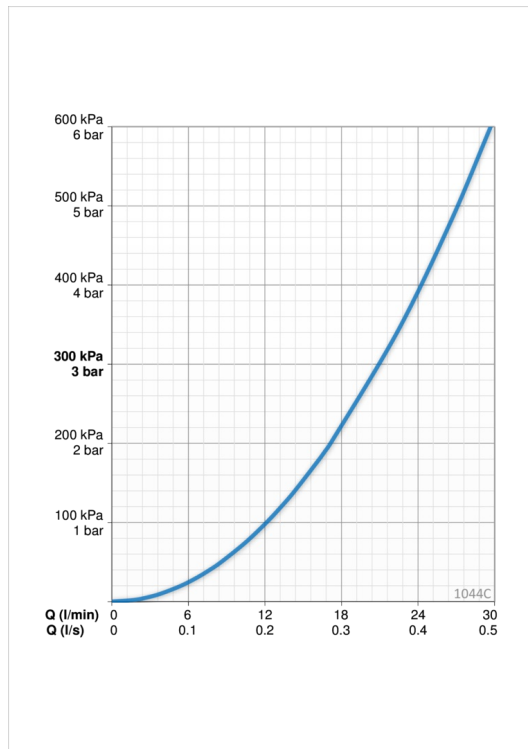
Technical data

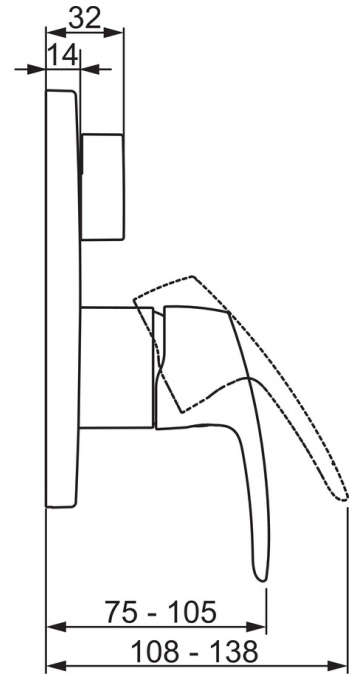
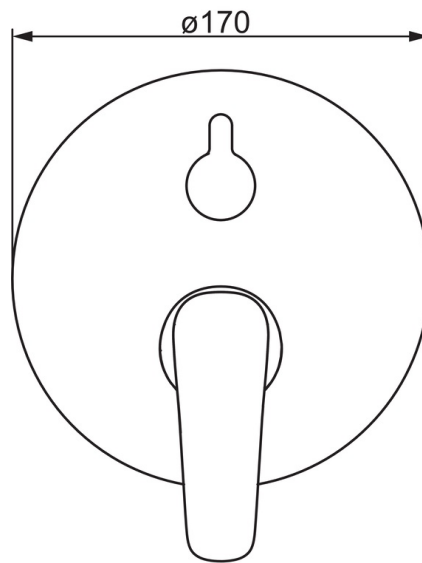
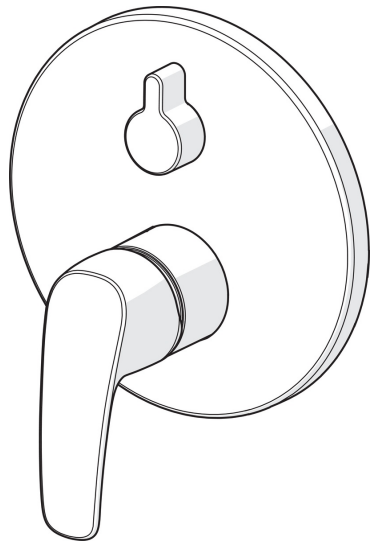
Flow properties

Flow-rate at 300 kPa **0.35 / 0.35 l/s**

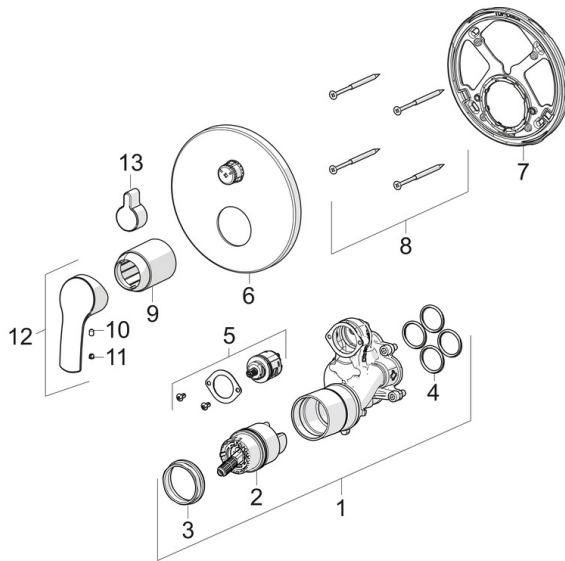
Technical properties

Hot water supply **max. +80°C**
 Working pressure **100 - 1000 kPa**





Spare parts



SP1044C

| | Name | Code |
|----|------------------------------|-----------|
| 01 | Functional unit Discontinued | 602653V |
| 02 | Cartridge | 158890 |
| 03 | Tightening nut | 158726 |
| 04 | O-ring, 23.47x2.62 | 602649V |
| 05 | Diverter and cartridge | 198282V |
| 06 | Cover flange Discontinued | 602654V |
| 07 | Fixing part Discontinued | 602655V |
| 08 | Screw, M4.5x80 Discontinued | 602652V |
| 09 | Cover sleeve | 602637V |
| 10 | Screw, M4x8 | 601894V |
| 11 | Symbol plug | 159020/10 |
| 12 | Lever | 602502V |
| 13 | Diverter knob Discontinued | 602014V |