

EAN: 6414150078361
static.oras.com/1054



Shower faucet, G3/4. There are also in-built limitation options for water temperature and maximum flow-rate.

- Shower solutions
- Single-lever
- Wall mounted
- Chrome
- Single operating lever/handle, Hot/Cold symbols
- Limitation option for maximum temperature and flow-rate
- \varnothing 40 mm ceramic cartridge for flow and temperature control

Technical data

Flow properties

Flow-rate at 300 kPa	0.26 l/s
Flow-rate at 300 kPa (with flow reducers)	0.2 l/s
Pressure loss 0.2 l/s (with flow reducers)	300 kPa
Pressure loss with flow (0.2 l/s)	180 kPa

Technical properties

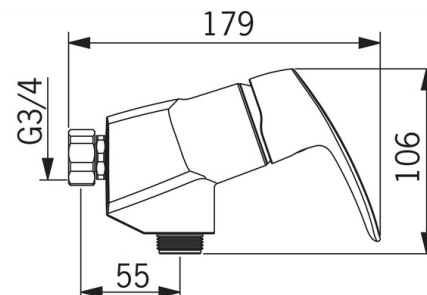
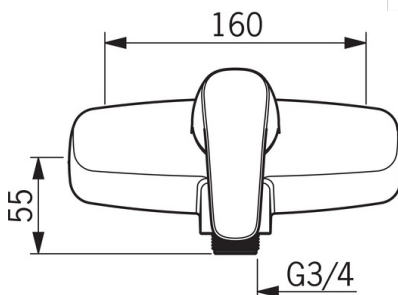
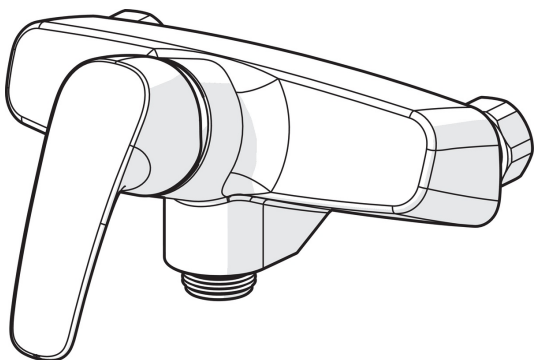
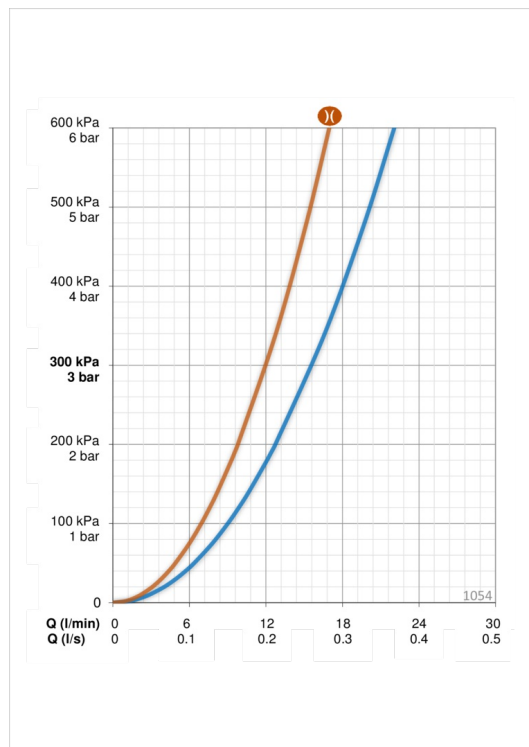
Hot water supply	max. +80°C
Working pressure	50 - 1000 kPa
Connection size	G3/4
Installation width	CC160 mm
Material	Brass

Regulations

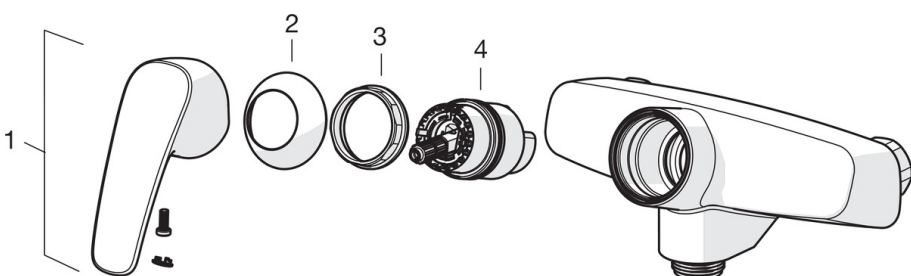
EN standard	EN 817
Noise class 0.2 l/s	I (ISO 3822)

Approvals and Declarations

STF certificate	VTT-RTH-00091-17
-----------------	-------------------------



Spare parts



SP1070

Name	Code
01 Lever	602502V
02 Covering cap	1000785V
03 Tightening nut	158726
04 Cartridge	158890