

EAN: 6414150078439

[www.oras.com/en/products/oras/product/1072](http://www.oras.com/en/products/oras/product/1072)



Bath and shower faucet. Fixed spout, diverter and aerator. There are also in-built limitation options for water temperature and maximum flow-rate.

- Bathroom, Shower
- Single lever, top operated
- Wall mounted
- Chrome
- Fixed spout
- Single operating lever/handle, Hot/Cold symbols
- Pull operated diverter
- Limitation option for maximum temperature and flow-rate
- 40 mm ceramic cartridge for flow and temperature control

## Technical data

### Flow properties

Flow-rate at 300 kPa	<b>0.33 l/s</b>
Flow-rate at 300 kPa (with flow reducers)	<b>0.2 l/s</b>
Pressure loss 0.2 l/s (with flow reducers)	<b>300 kPa</b>
Pressure loss with flow (0.2 l/s)	<b>160 kPa</b>
Pressure loss with flow (0.3 l/s)	<b>260 kPa</b>

### Technical properties

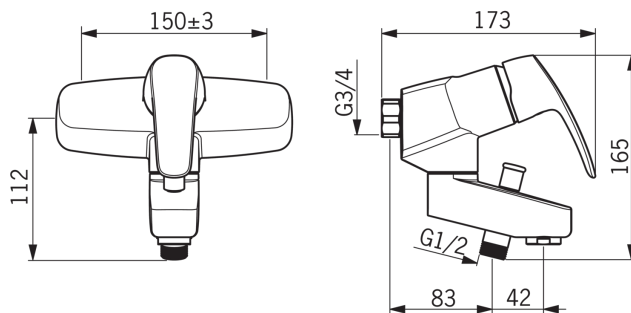
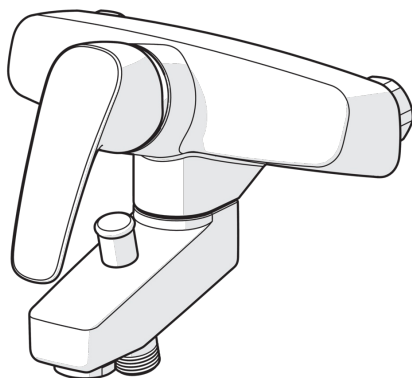
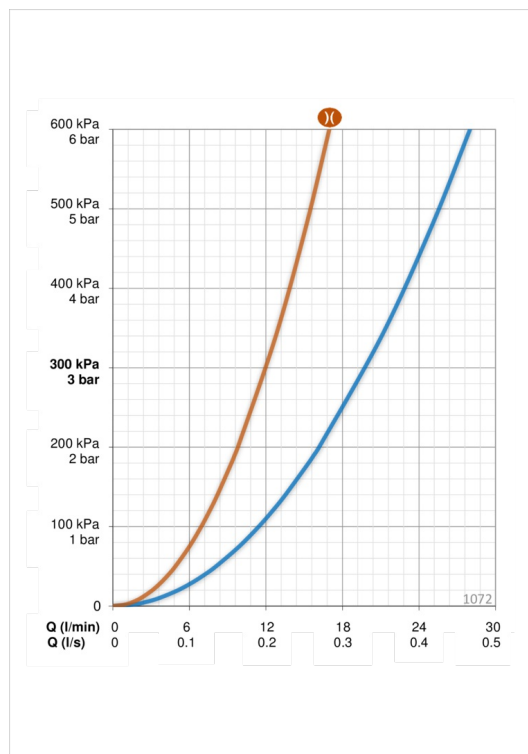
Hot water supply	<b>max. +80°C</b>
Working pressure	<b>50 - 1000 kPa</b>
Connection size	<b>G3/4</b>
Installation width	<b>CC150± 3 mm</b>
Projection	<b>125 mm</b>
Material	<b>brass</b>

### Regulations

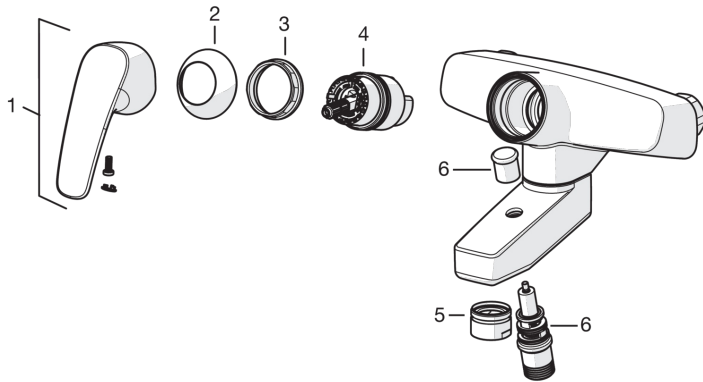
EN standard	<b>EN 817</b>
Noise class 0.2 l/s	<b>I (ISO 3822)</b>
Noise class 0.3 l/s	<b>II (ISO 3822)</b>

### Type approvals

STF certificate	<b>VTT-RTH-00091-17</b>
-----------------	-------------------------



## Spare parts



### SP1072

	<b>Name</b>	<b>Code</b>
01	Lever	602502V
02	Covering cap	1000785V
03	Tightening nut	158726
04	Cartridge	158890
05	Aerator, M28x1	232213
06	Diverter	601988V