

EAN: 6414150078347  
[static.oras.com/1075](http://static.oras.com/1075)



Shower faucet. Shower hose connection G1/2. There are also in-built limitation options for water temperature and maximum flow-rate.

- Shower
- Single-lever
- Wall mounted
- Chrome
- Single operating lever/handle, Hot/Cold symbols
- Limitation option for maximum temperature and flow-rate
- Non-return valve(s),  $\varnothing$  40 mm ceramic cartridge for flow and temperature control
- Silencer(s)

## Technical data

### Flow properties

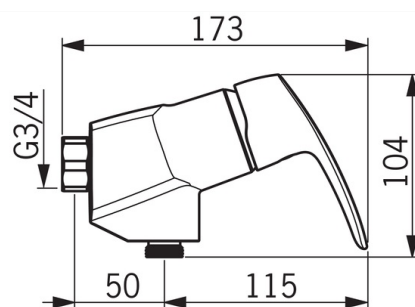
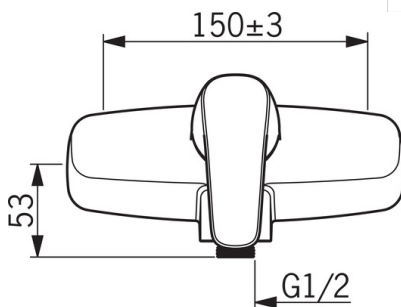
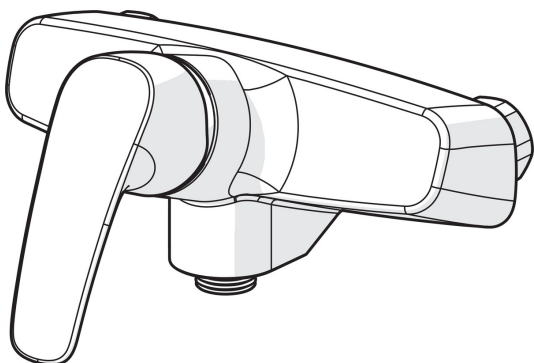
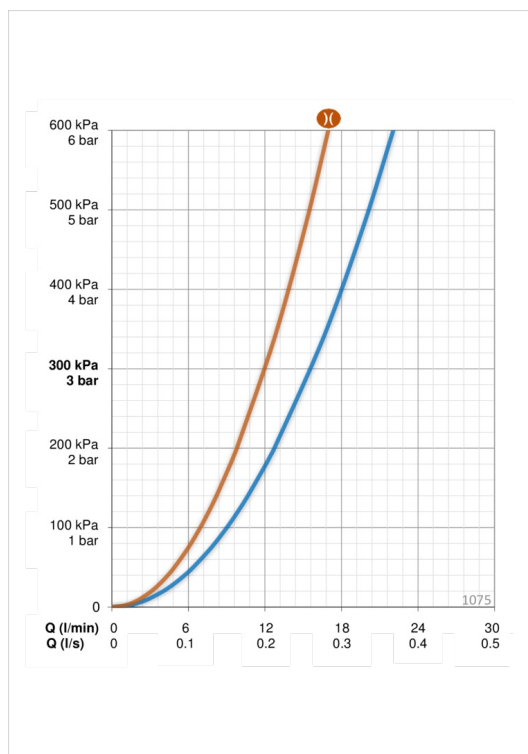
Flow-rate at 300 kPa	<b>0.26 l/s</b>
Flow-rate at 300 kPa (with flow reducers)	<b>0.2 l/s</b>
Pressure loss 0.2 l/s (with flow reducers)	<b>300 kPa</b>
Pressure loss with flow (0.2 l/s)	<b>180 kPa</b>

### Technical properties

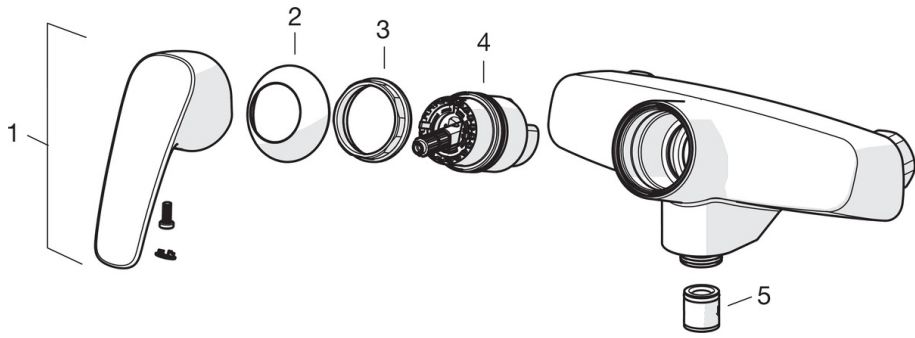
Hot water supply	<b>max. +80°C</b>
Working pressure	<b>50 - 1000 kPa</b>
Connection size	<b>G3/4</b>
Installation width	<b>CC150± 3 mm</b>
Material	<b>Brass</b>

### Regulations

EN standard	<b>EN 817</b>
Noise class 0.2 l/s	<b>I (ISO 3822) Oras lab.</b>



## Spare parts



### SP1075

	Name	Code
01	Lever	602502V
02	Covering cap	1000785V
03	Tightening nut	158726
04	Cartridge	158890
05	Non-return valve	601989V