

EAN: 6414150078354
static.oras.com/1075X

Shower faucet. Shower hose connection G1/2. Eccentric unions and cover plates are included. There are also in-built limitation options for water temperature and maximum flow-rate.

- Shower solutions
- Single-lever
- Wall mounted
- Chrome
- Single operating lever/handle, Hot/Cold symbols
- Limitation option for maximum temperature and flow-rate
- Non-return valve(s), \varnothing 40 mm ceramic cartridge for flow and temperature control
- Eccentric coupling(s), Cover plate(s), with integrated shut-off valve(s)

Technical data

Flow properties

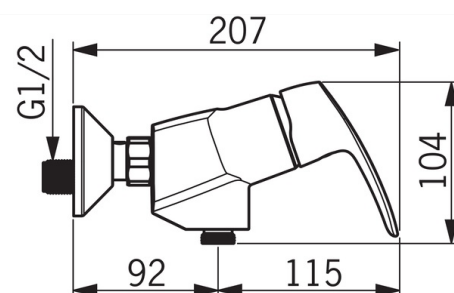
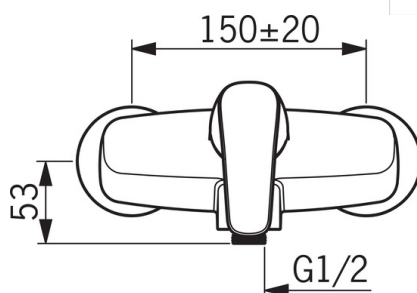
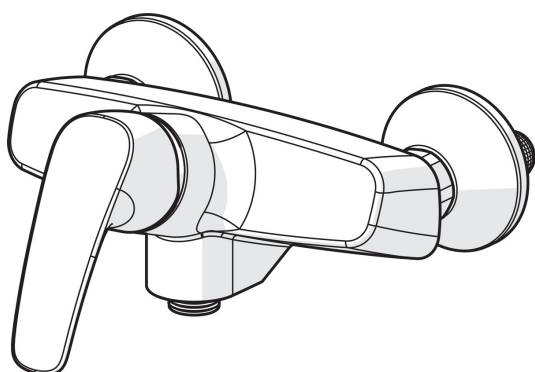
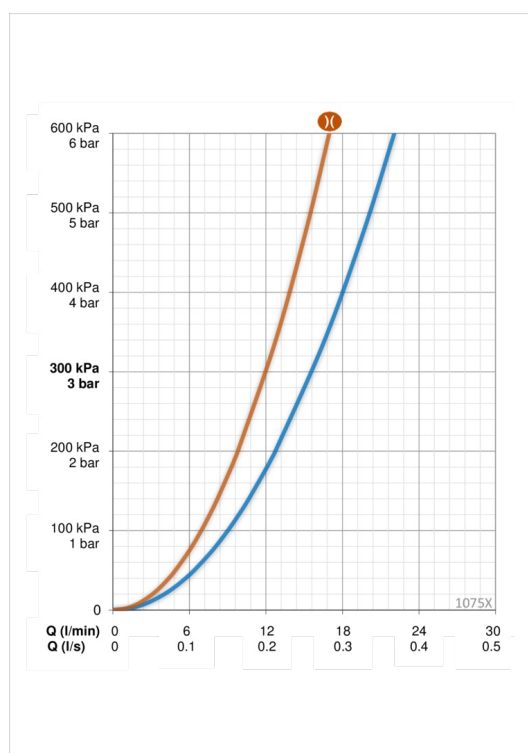
Flow-rate at 300 kPa	0.26 l/s
Flow-rate at 300 kPa (with flow reducers)	0.2 l/s
Pressure loss 0.2 l/s (with flow reducers)	300 kPa
Pressure loss with flow (0.2 l/s)	180 kPa

Technical properties

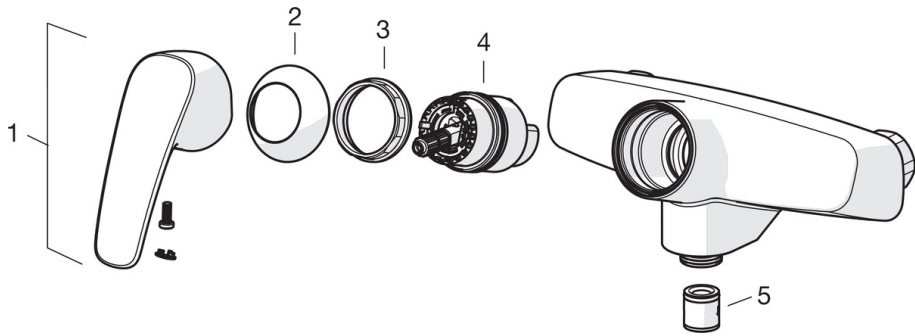
Hot water supply	max. +80°C
Working pressure	50 - 1000 kPa
Connection size	G1/2
Installation width	CC150± 20 mm
Material	Brass

Regulations

EN standard	EN 817
Noise class 0.2 l/s	I (ISO 3822) Oras lab.



Spare parts



SP1075

	Name	Code
01	Lever	602502V
02	Covering cap	1000785V
03	Tightening nut	158726
04	Cartridge	158890
05	Non-return valve	601989V