

EAN: 6414150078491

www.oras.com/en/products/oras/product/1077

Wall-mounted faucet with side brush. Diverter and swivel spout (250 mm). There are also in-build limitation options for water temperature and maximum flow-rate.



- Utility room
- Single lever, top operated
- Wall mounted
- Chrome
- Swivel spout
- Single operating lever/handle, Hot/Cold symbols
- Side brush
- Limitation option for maximum temperature and flow-rate
- 40 mm ceramic cartridge for flow and temperature control

Technical data

Flow properties

| | |
|-----------------------------------|-----------------|
| Flow-rate at 300 kPa | 0.17 l/s |
| Pressure loss with flow (0.1 l/s) | 100 kPa |

Technical properties

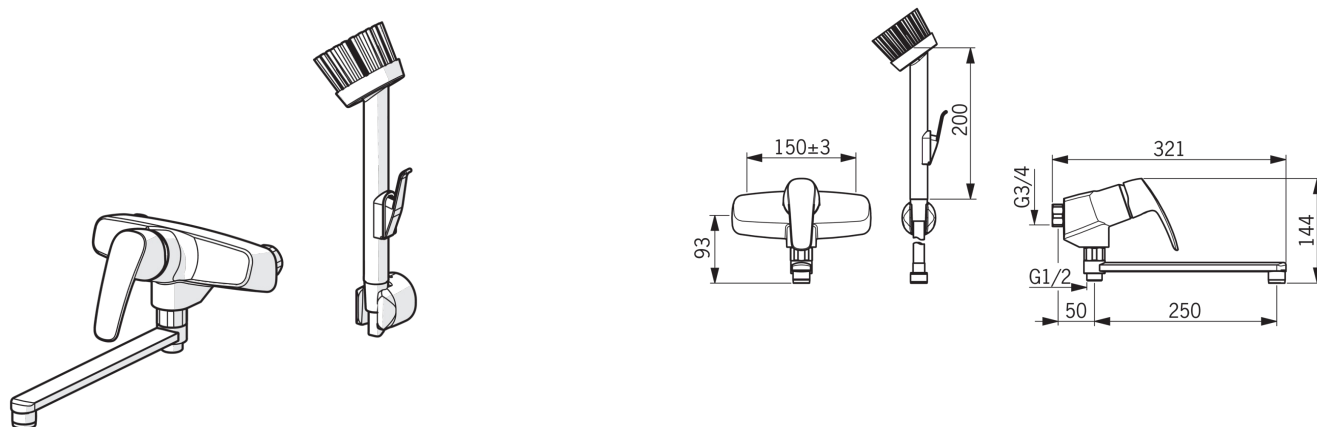
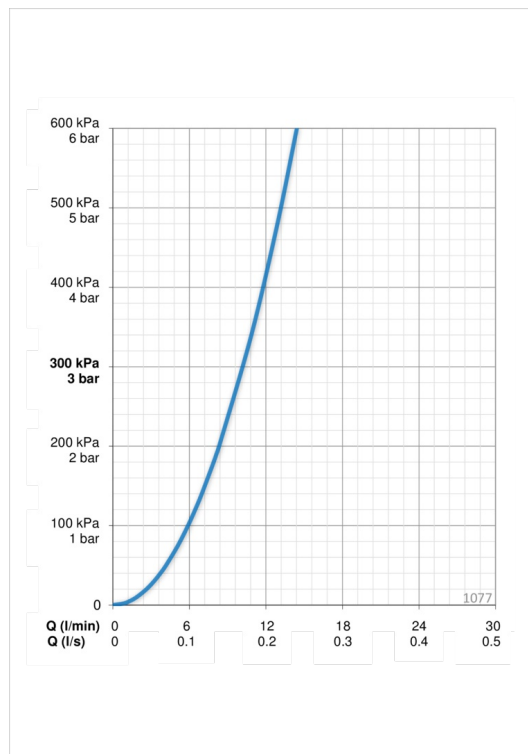
| | |
|--------------------|----------------------|
| Hot water supply | max. +80°C |
| Working pressure | 50 - 1000 kPa |
| Connection size | G3/4 |
| Installation width | CC150± 3 mm |
| Projection | 250 mm |
| Material | brass |

Regulations

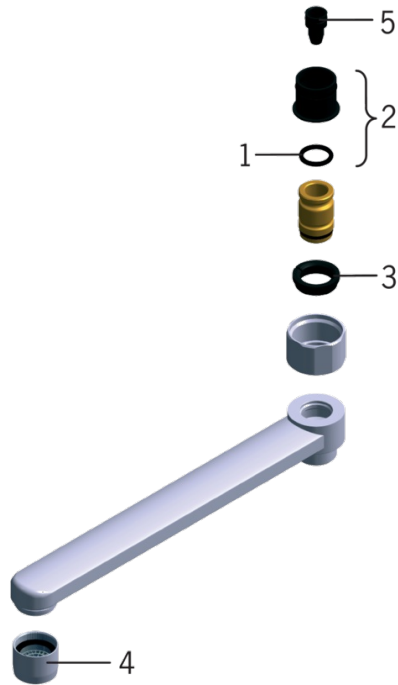
| | |
|-------------|---------------------|
| EN standard | EN 817 |
| Noise class | I (ISO 3822) |

Type approvals

| | |
|-----------------|-------------------------|
| STF certificate | VTT-RTH-00091-17 |
|-----------------|-------------------------|

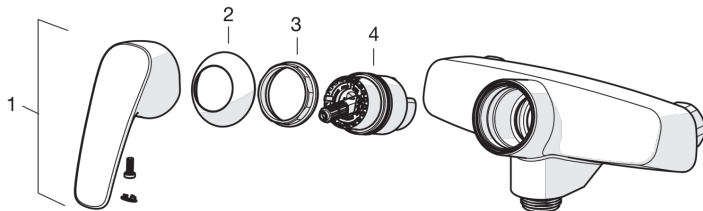


Spare parts



SP0045

| | Name | Code |
|----|---------------------------|-----------|
| 01 | O-ring, 13.6x2.4 | 469360/10 |
| 02 | Bushing (10 pcs), 18/20.6 | 219595/10 |
| 03 | Retaining ring (10 pcs) | 219563/10 |
| 04 | Aerator, M22x1 | 232201 |
| 05 | Ejector | 219544/10 |



SP1070

| | Name | Code |
|----|----------------|----------|
| 01 | Lever | 602502V |
| 02 | Covering cap | 1000785V |
| 03 | Tightening nut | 158726 |
| 04 | Cartridge | 158890 |