

EAN: 6414150078507

www.oras.com/en/products/oras/product/1077X

Wall-mounted faucet with side brush. Diverter and swivel spout (250 mm). Eccentric unions and cover plates are included. There are also in-built limitation options for water temperature and maximum flow-rate.

- Utility room
- Single lever, top operated
- Wall mounted
- Chrome
- Swivel spout
- Single operating lever/handle, Hot/Cold symbols
- Side brush
- Limitation option for maximum temperature and flow-rate
- 40 mm ceramic cartridge for flow and temperature control



Technical data

Flow properties

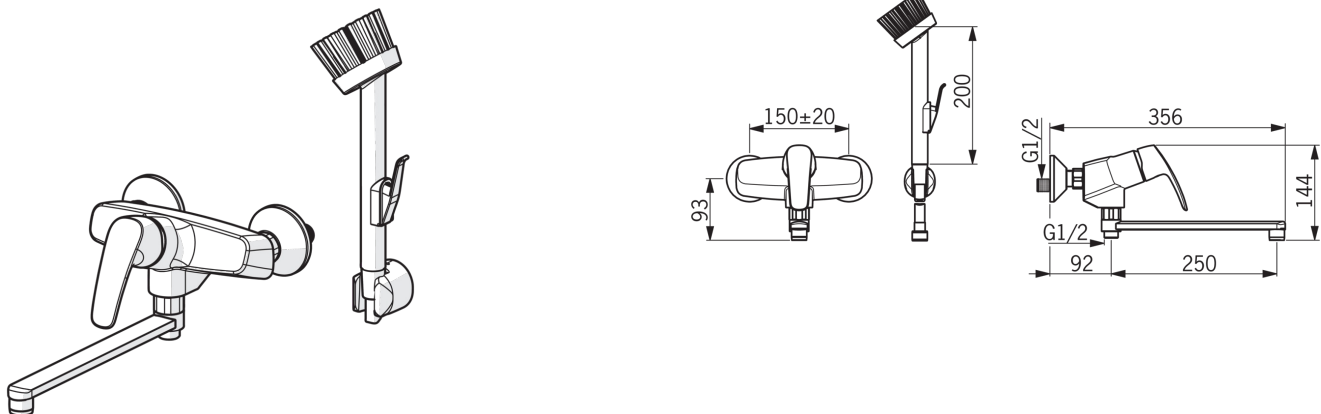
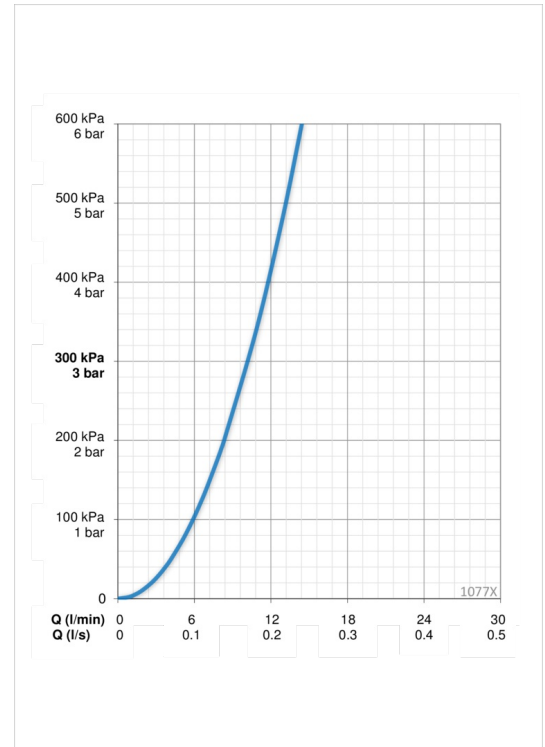
Flow-rate at 300 kPa	0.17 l/s
Pressure loss with flow (0.1 l/s)	100 kPa

Technical properties

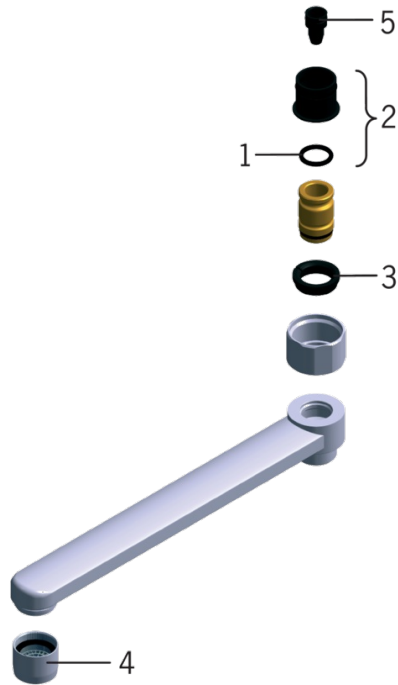
Hot water supply	max. +80°C
Working pressure	50 - 1000 kPa
Connection size	G1/2
Installation width	CC150± 20 mm
Projection	250 mm
Material	brass

Regulations

EN standard	EN 817
Noise class	I (ISO 3822)

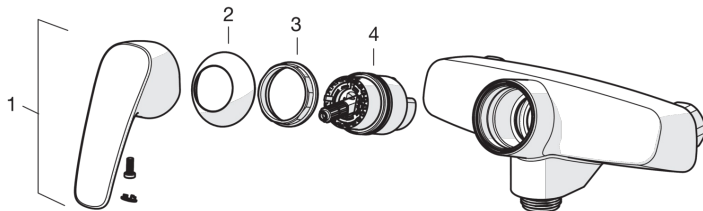


Spare parts



SP0045

	Name	Code
01	O-ring, 13.6x2.4	469360/10
02	Bushing (10 pcs), 18/20.6	219595/10
03	Retaining ring (10 pcs)	219563/10
04	Aerator, M22x1	232201
05	Ejector	219544/10



SP1070

	Name	Code
01	Lever	602502V
02	Covering cap	1000785V
03	Tightening nut	158726
04	Cartridge	158890