

EAN: 6414150079412

[www.oras.com/en/products/oras/product/1086](http://www.oras.com/en/products/oras/product/1086)

Body for shower faucet wall connection DN15 (G1/2) min. installation depth: 50 mm

- Shower
- Concealed unit
- Wall mounted for concealed unit



## Technical data

### Flow properties

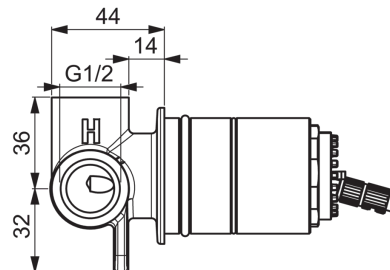
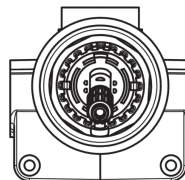
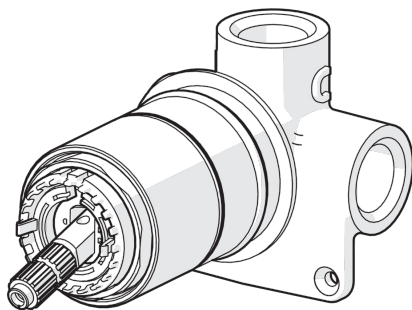
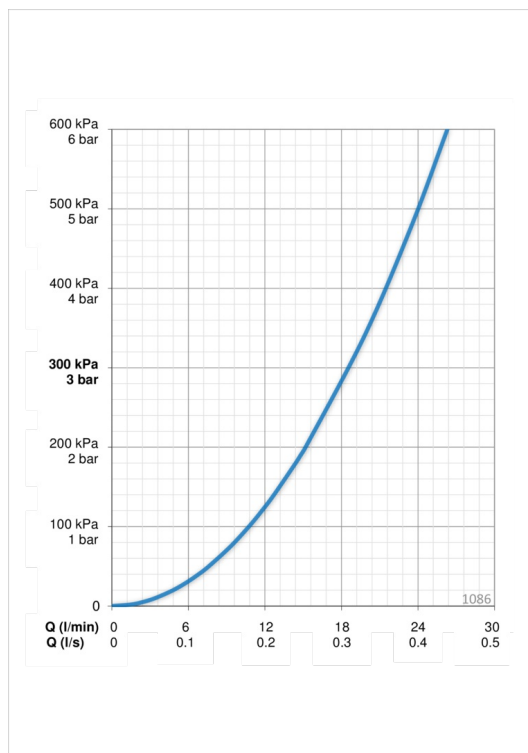
Flow-rate at 300 kPa **0.31 l/s**

### Technical properties

Hot water supply **max. +80°C**  
 Working pressure **50 - 1000 kPa**

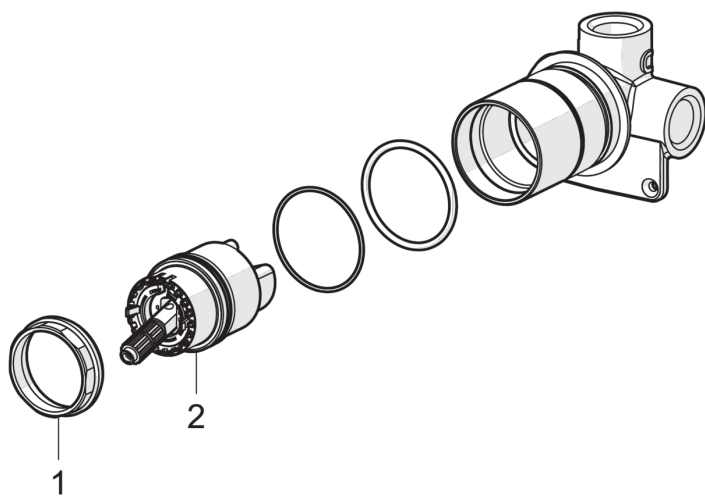
### Regulations

EN standard **EN 817**



## Spare parts

---



### SP1086

---

	<b>Name</b>	<b>Code</b>
01	Tightening nut	158726
02	Cartridge	158890