

EAN: 4007536203093

www.oras.com/en/products/oras/product/1286



Concealed bath and shower faucet. Body part for concealed bath and shower faucets. G1/2 male thread (4pcs).

- Bathroom, Shower
- Concealed unit
- Wall mounted for concealed unit
- Limitation option for maximum temperature and flow-rate
- ø 40 mm ceramic cartridge for flow and temperature control
- External thread, Silencer(s)

Technical data

Flow properties

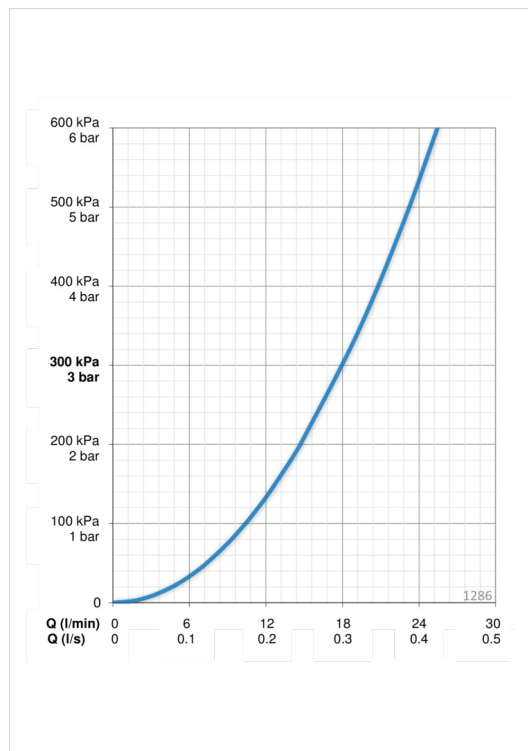
Flow-rate at 300 kPa	0.3 l/s
Pressure loss with flow (0.2 l/s)	135 kPa
Pressure loss with flow (0.3 l/s)	300 kPa

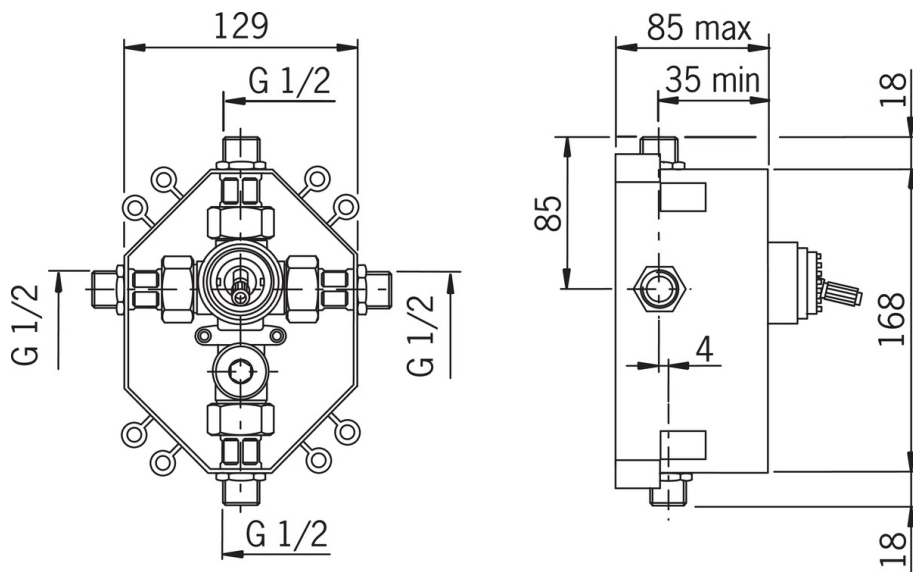
Technical properties

Hot water supply	max. +80°C
Working pressure	50 - 1000 kPa
Material	Brass

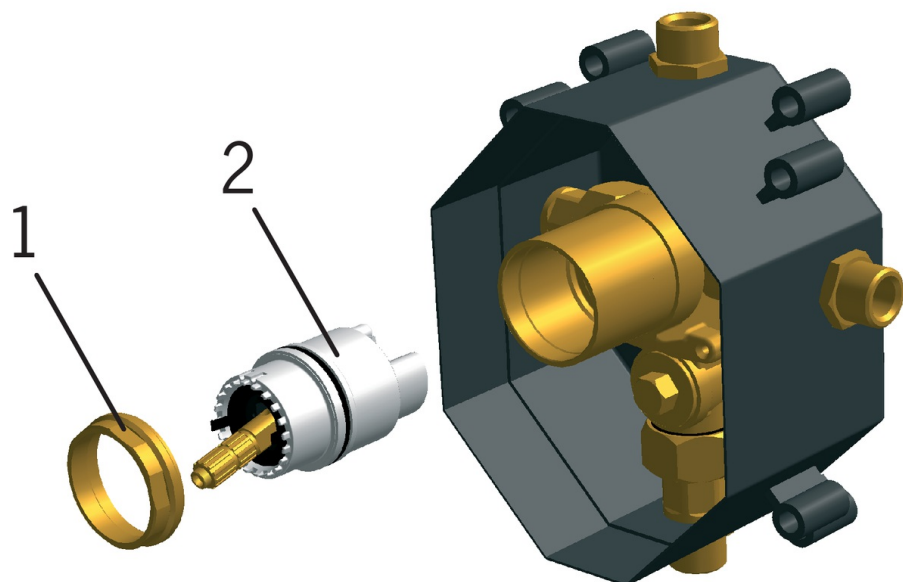
Regulations

Noise class	I (ISO 3822)
-------------	---------------------





Spare parts



SP1286

	Name	Code
01	Tightening nut	158726
02	Cartridge	158890