

EAN: 6414150067488

[www.oras.com/en/products/oras/product/1714F](http://www.oras.com/en/products/oras/product/1714F)



Touchless washbasin faucet with a temperature adjustment handle. Battery-operated 6 V. The total height of the faucet enables installation even in the smallest spaces. The faucet is equipped with litter filters and non-return valves. No adjustments are needed at installation because of an advanced Autofocus sensor. The impulse-controlled solenoid valve gives the battery a long operating life. Flow controller (5 l/min) guarantees low water consumption. F = with flexible pipes

- Bathroom
- Battery-operated, Touchless
- Deck mounted
- Chrome
- Temperature control handle
- Limitation option for maximum flow-rate
- Litter filter(s)
- Autofocus sensor, Impulse-controlled solenoid valve
- flexible inlet pipe(s)

## Technical data

### Flow properties

|   |                 |
|---|-----------------|
| Flow-rate at 300 kPa (with flow controller) | <b>0.08 l/s</b> |
| Pressure loss with flow (0.1 l/s)           | <b>200 kPa</b>  |

### Technical properties

|                  |                       |
|------------------|-----------------------|
| Hot water supply | <b>max. +70°C</b>     |
| Working pressure | <b>100 - 1000 kPa</b> |
| Connection size  | <b>G3/8</b>           |
| Projection       | <b>85 mm</b>          |
| Material         | <b>brass</b>          |

### Software settings

|                              |                         |
|------------------------------|-------------------------|
| Intelligent afterflow period | <b>2 s ± 1 s</b>        |
| Max. flow period             | <b>2 min</b>            |
| Recognition range            | <b>optimally preset</b> |

### Electronic properties

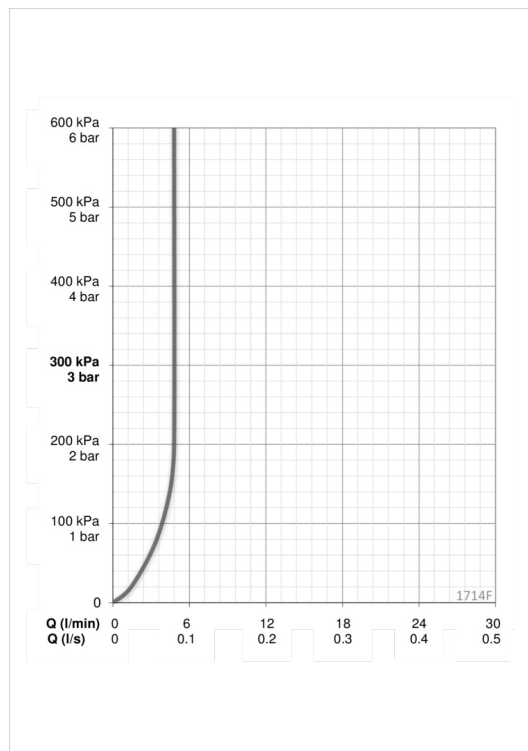
|         |                         |
|---------|-------------------------|
| Battery | <b>Lithium 2CR5 6 V</b> |
|---------|-------------------------|

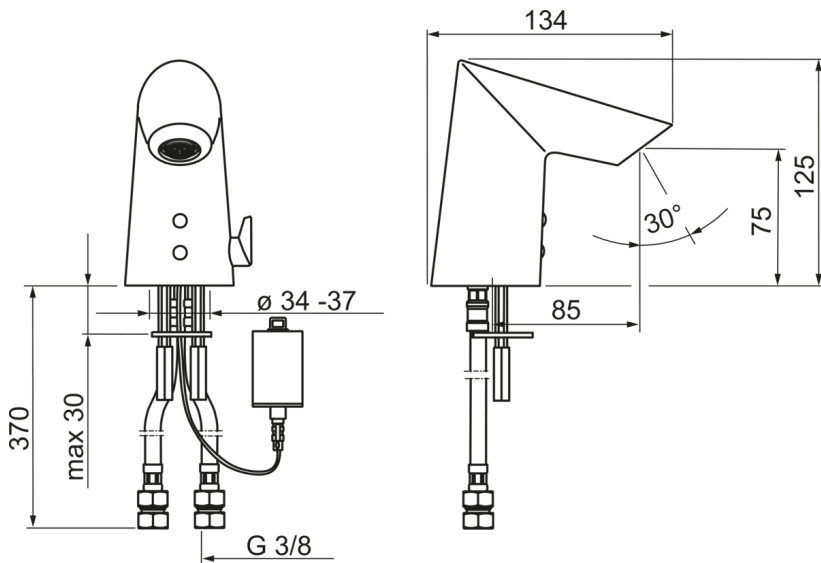
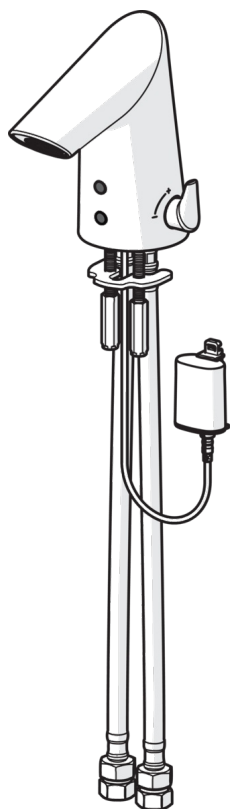
### Regulations

|                  |                       |
|------------------|-----------------------|
| EMC Directive    | <b>CE 2004/108/EY</b> |
| EN standard      | <b>EN 15091</b>       |
| Noise class      | <b>I (ISO 3822)</b>   |
| Protection class | <b>IP 55</b>          |

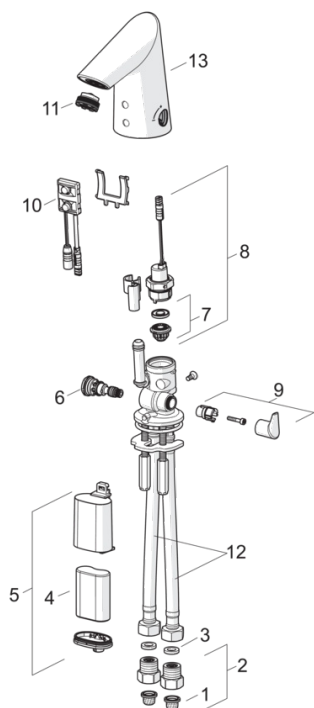
### Type approvals

|                 |                             |
|-----------------|-----------------------------|
| STF certificate | <b>STF VTT-RTH-00024-12</b> |
| ETA-Danmark     | <b>VA 1.42/20137</b>        |
| Sintef          | <b>Sintef Nr. 3080</b>      |
| KIWA SE         | <b>1462</b>                 |
| GDV Danmark     | <b>04/00225</b>             |





## Spare parts



### SP1714F

|      | Code      |
|------|-----------|
| 01   | 199257/2  |
| 02   | 198473/2  |
| 03   | 600705/10 |
| 04   | 198330    |
| 05   | 199417V   |
| 06   | 199201V   |
| 07   | 199205V   |
| 08   | 199206V   |
| 09   | 601020V   |
| 10   | 600659V   |
| 10   | 1001424V  |
| 11   | 601025V   |
| 12   | 601481/2  |
| 13   | 601019V   |
| N.I. | 601061V   |