

EAN: 6414150049859
static.oras.com/1739-60



Kitchen faucet with high spout and dishwasher valve. Swivel spout and aerator. Spout's swing angle is factory preset at 120° (can be limited to 0° or 60°). The spout can be fixed in position on the left or right or at the back of the faucet. In-built limitation options for water temperature and maximum flow-rate.

- Kitchen
- Single-lever, Dishwasher valve
- Deck mounted
- Satin
- Swivel spout, Swivel range limiting option
- Mechanic stop valve for external equipment
- Single operating lever/handle, Hot/Cold symbols

Technical data

Flow properties

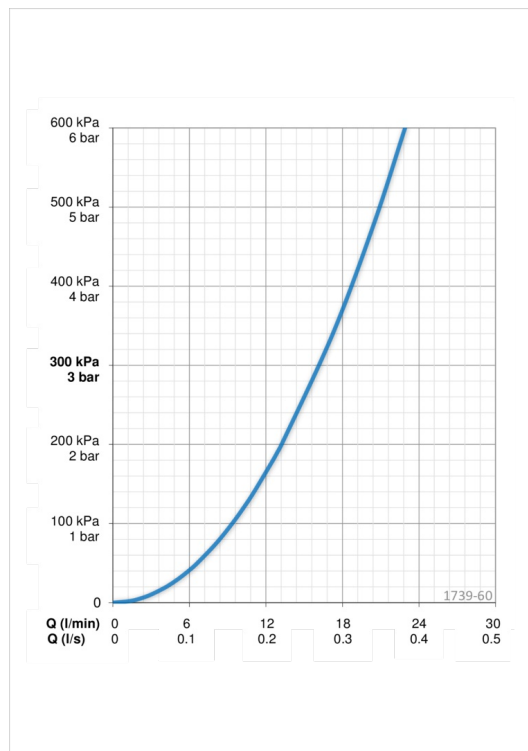
Flow-rate at 300 kPa	0.27 l/s
Pressure loss with flow (0.2 l/s)	165 kPa

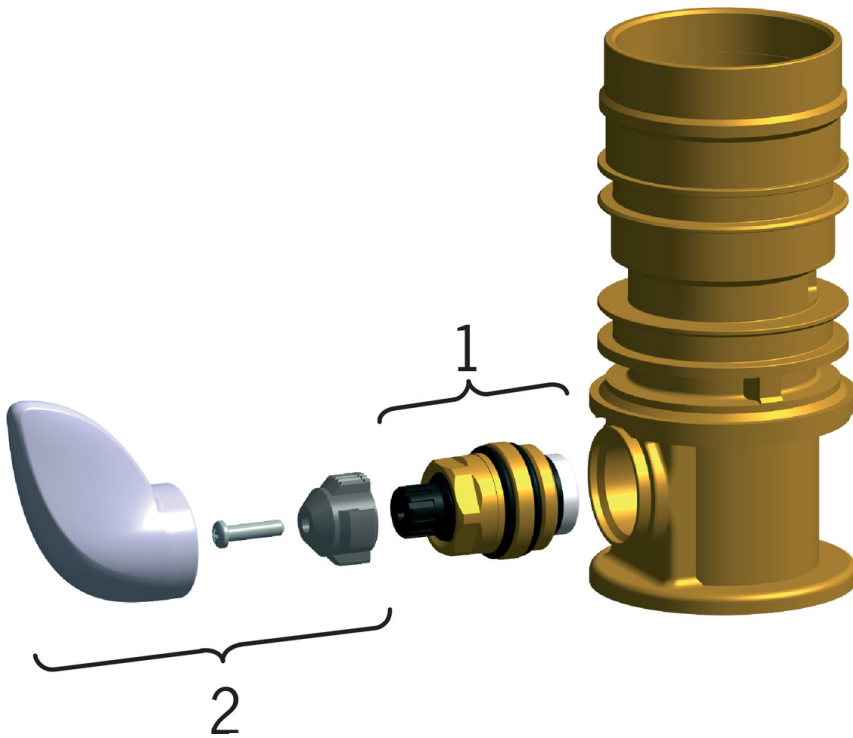
Technical properties

Hot water supply	max. +80°C
Working pressure	50 - 1000 kPa
Material	Brass

Regulations

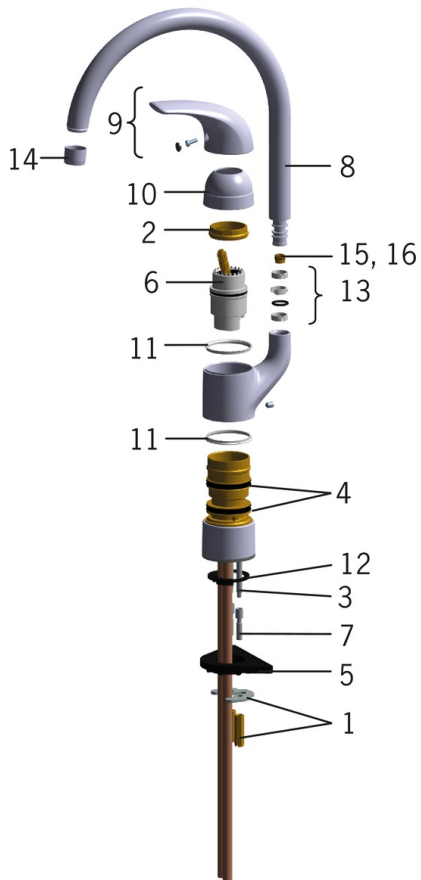
EN standard	EN 817
Noise class	I (ISO 3822)





SP0096

	Name	Code
01	Headpart	158203V
02	Wing handle with screws	159015V



SP0103

	Name	Code
01	Fixing plates with nuts	158697
02	Tightening nut	158726
03	Fixing screw (10 pcs), M6x65	158747/10
04	X-sealing set	158735
05	Supporting plate, 100x60mm	158825
06	Cartridge	158890
07	Extension screw kit, M6	158893
08	Spout	159010V
09	Lever Satin	159012V-60
09	Lever	159012V
10	Covering cap	159014V
11	Bearing ring	159423/10
12	Bottom seal	159434
13	Sealing kit	159499
14	Aerator, M22x1	232201
15	Spout overturning stopper, 120°	159670/10
16	Spout overturning stopper, 60°/0°	159667V
16	Spout overturning stopper, 60°/0°	159667/10