

EAN: 6414150089367

www.oras.com/en/products/oras/product/1810G



Washbasin faucet with fixed spout and aerator. Lever is equipped with an eco-button for limiting water temperature and flow-rate, which can be bypassed by pressing the button.

- Bathroom
- Single lever, top operated
- Deck mounted
- Chrome
- Fixed spout
- HONEYCOMB® - improved lime protection
- Single operating lever/handle, Hot/Cold symbols, Eco feature for water flow
- Chain holder without chain
- 40 mm ceramic cartridge for flow and temperature control
- 3S-installation system for safe and simple mounting

Technical data

Flow properties

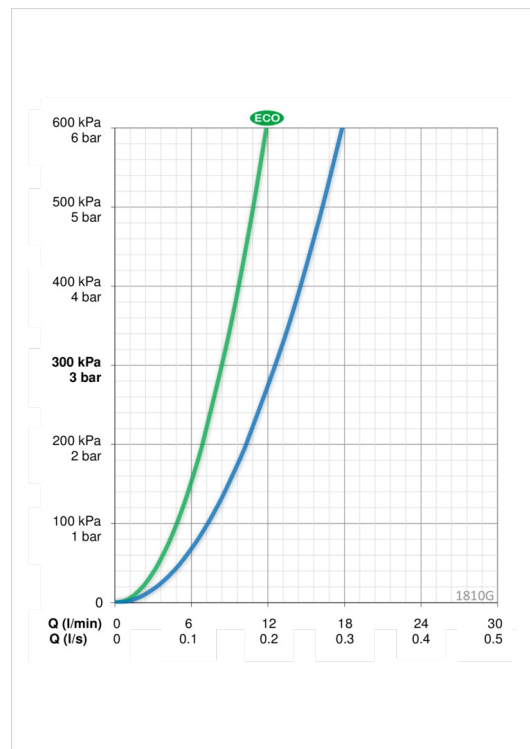
Eco-flow at 300 kPa	0.14 l/s
Flow-rate at 300 kPa	0.21 l/s
Pressure loss with flow (0.1 l/s)	70 kPa

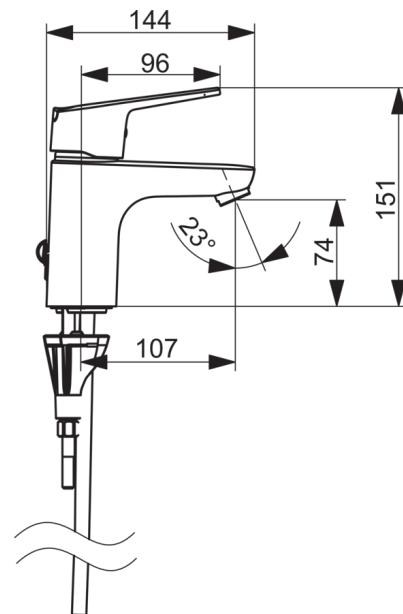
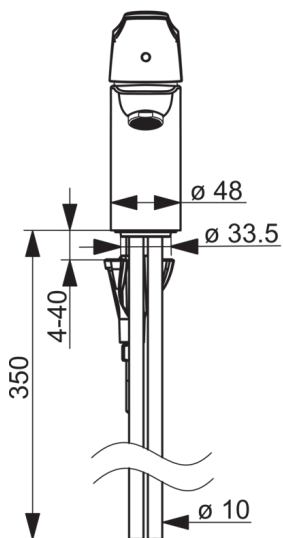
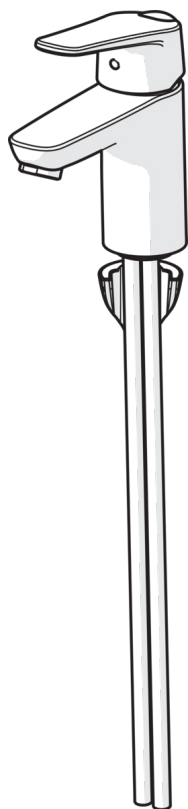
Technical properties

Hot water supply	max. +80°C
Working pressure	50 - 1000 kPa
Connection size	ø10 mm
Projection	107 mm
Material	brass

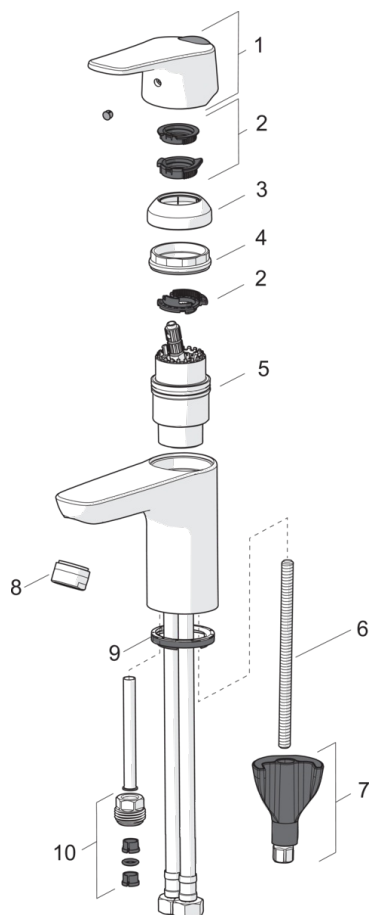
Regulations

EN standard	EN 817
Noise class	I (ISO 3822)





Spare parts



SP1812FG

	Name	Code
01	Lever	1000935V
02	Limiter	1004821V
03	Covering cap	1000664V
04	Tightening nut	158726
05	Cartridge	158890
06	Fixing screw, M8x1, L=130	1000780V
07	Fixing set	602610V
08	Aerator, M24 x 1 STD HC A	232211
09	Bottom seal	1002371V
10	Nipple	159684