

EAN: 6414150089473

[www.oras.com/en/products/oras/product/1811G](http://www.oras.com/en/products/oras/product/1811G)



Washbasin faucet XL with fixed spout and aerator. Lever is equipped with an eco-button for limiting water temperature and flow-rate, which can be bypassed by pressing the button.

- Bathroom
- Single lever, top operated
- Deck mounted
- Chrome
- Fixed spout
- HONEYCOMB® - improved lime protection
- Single operating lever/handle, Hot/Cold symbols, Eco feature for water flow
- Chain holder without chain
- 40 mm ceramic cartridge for flow and temperature control
- 3S-installation system for safe and simple mounting

## Technical data

### Flow properties

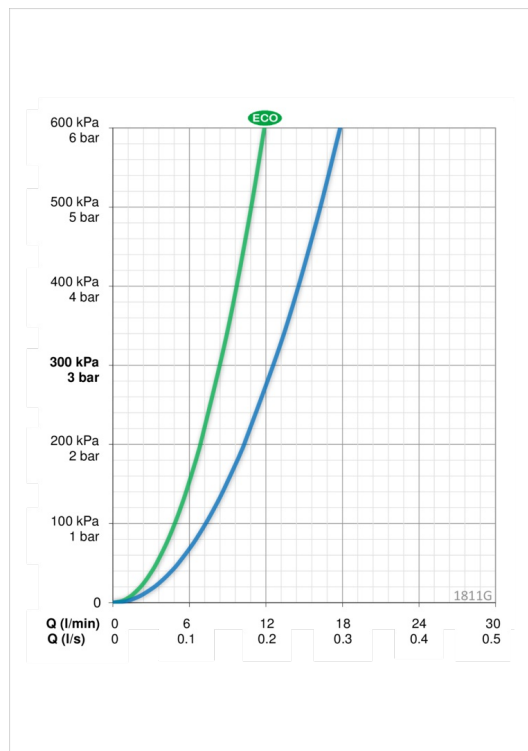
Eco-flow at 300 kPa	<b>0.14 l/s</b>
Flow-rate at 300 kPa	<b>0.21 l/s</b>
Pressure loss with flow (0.1 l/s)	<b>70 kPa</b>

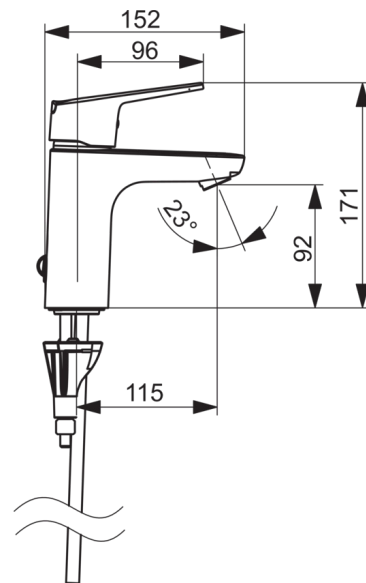
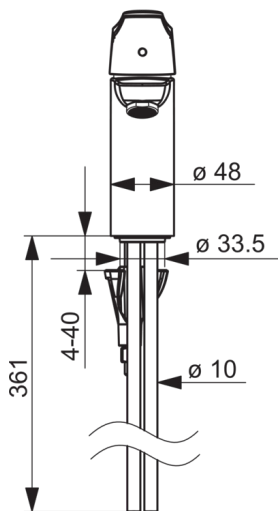
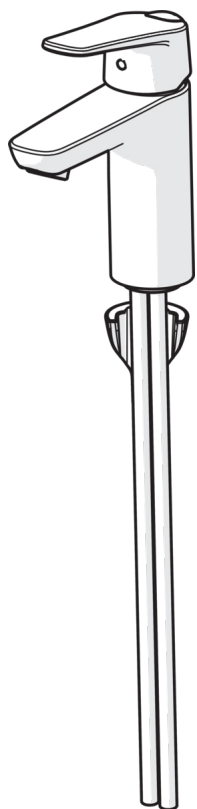
### Technical properties

Hot water supply	<b>max. +80°C</b>
Working pressure	<b>50 - 1000 kPa</b>
Connection size	<b>ø10 mm</b>
Projection	<b>115 mm</b>
Material	<b>brass</b>

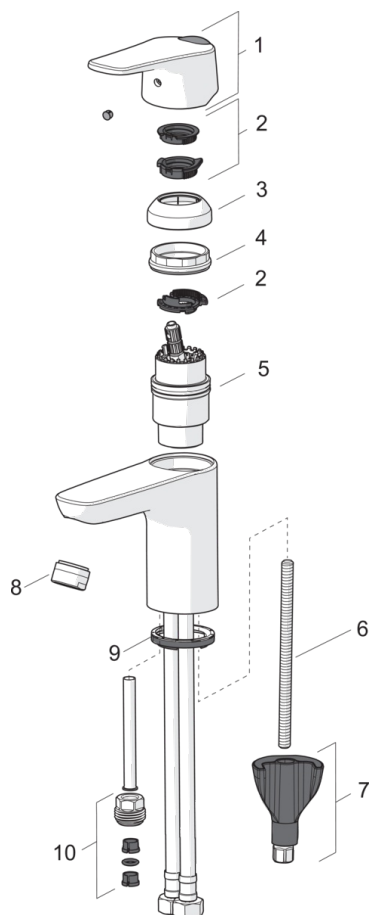
### Regulations

EN standard	<b>EN 817</b>
Noise class	<b>I (ISO 3822)</b>





## Spare parts



### SP1812FG

	Name	Code
01	Lever	1000935V
02	Limiter	1004821V
03	Covering cap	1000664V
04	Tightening nut	158726
05	Cartridge	158890
06	Fixing screw, M8x1, L=130	1000780V
07	Fixing set	602610V
08	Aerator, M24 x 1 STD HC A	232211
09	Bottom seal	1002371V
10	Nipple	159684