

1813 Oras Vega - Washbasin faucet with washing machine valve

EAN: 6414150043185

www.oras.com/en/products/oras/product/1813

Washbasin faucet with dishwasher valve. Swivel spout and aerator. Spout's swing angle is factory preset at 100° (can be limited to 40°-80°). Dishwasher valve for cold water. Firm two-component lever is equipped with an eco-button for limiting water temperature and flow-rate which can be bypassed by pressing the button.



- Bathroom
- Single lever, top operated
- Deck mounted
- Chrome
- Swivel spout, Swivel range limiting option
- HONEYCOMB® - improved lime protection
- Mechanic stop valve for external equipment
- Eco feature for water flow, Single operating lever/handle, Hot/Cold symbols
- 40 mm ceramic cartridge for flow and temperature control

Technical data

Flow properties

Eco-flow at 300 kPa	0.13 l/s
Flow-rate at 300 kPa	0.2 l/s
Pressure loss with flow (0.1 l/s)	75 kPa

Technical properties

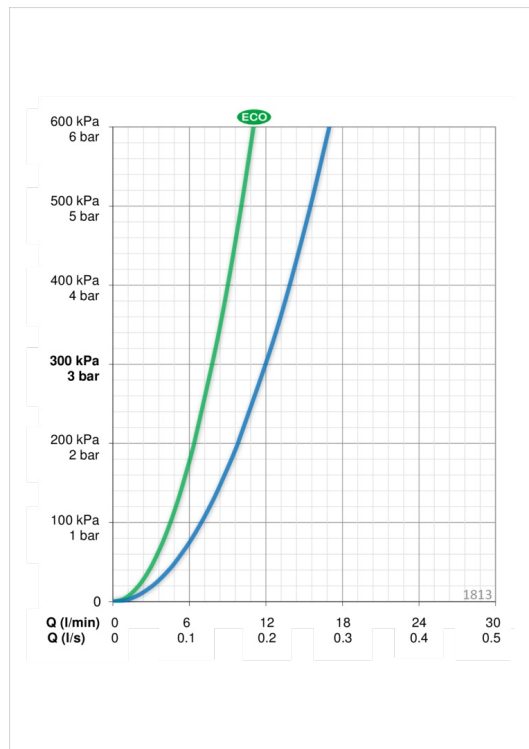
Hot water supply	max. +80°C
Working pressure	50 - 1000 kPa
Material	brass

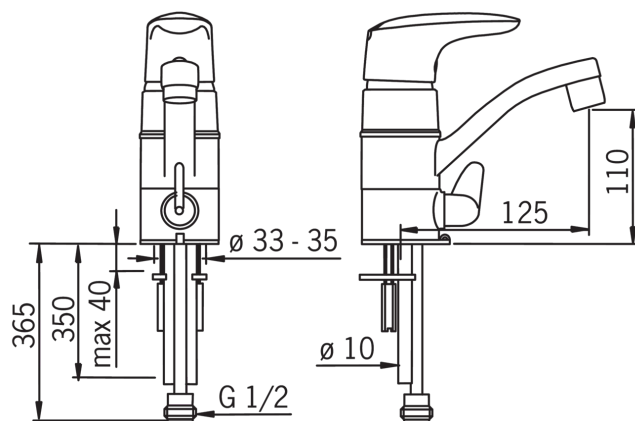
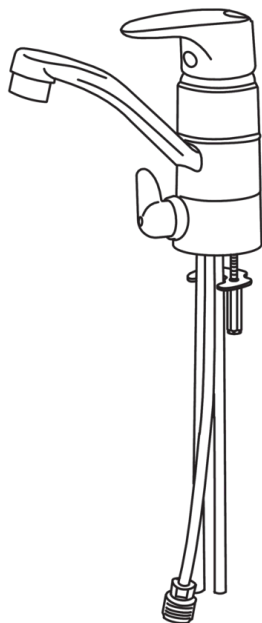
Regulations

EN standard	EN 817
Noise class	I (ISO 3822)

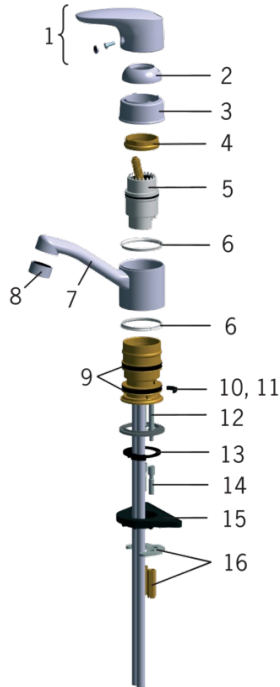
Type approvals

STF certificate	STF VTT-RTH-11360-06
-----------------	-----------------------------



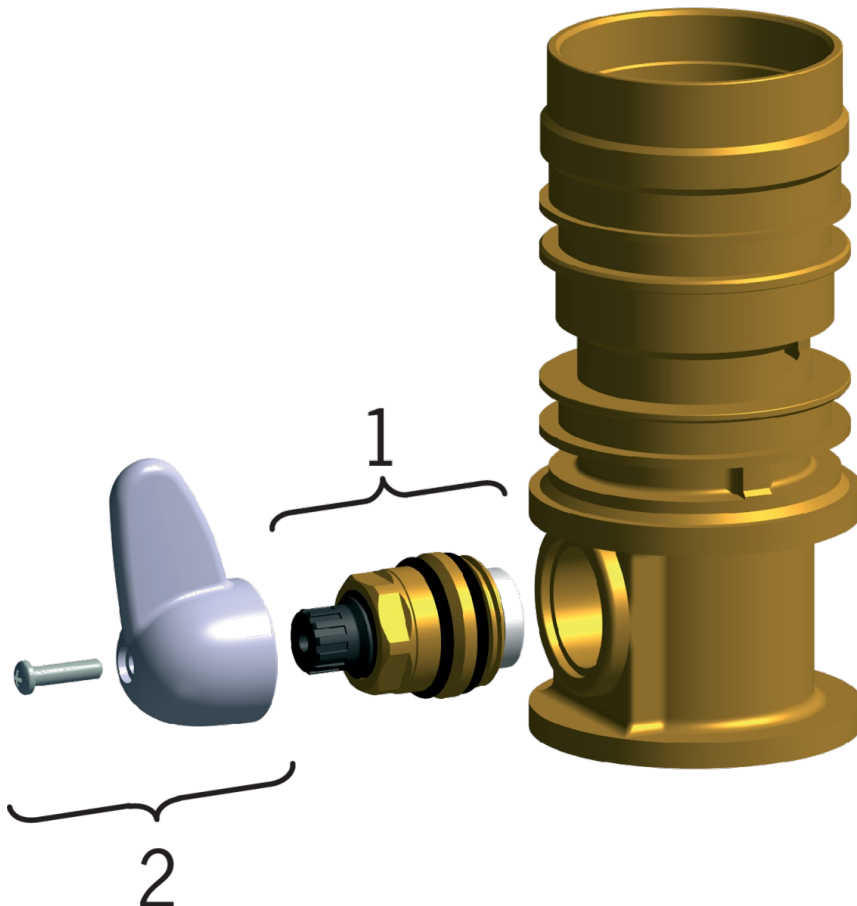


Spare parts



SP1813

	Name	Code
01	Lever	159319V
02	Limiting cup	159346V
03	Covering cap, threaded	159348V
04	Tightening nut	158726
05	Cartridge	158890
06	Bearing ring	159423/10
07	Spout, L=125	159283V
08	Aerator, M24x1 STD HC B	232210
09	X-sealing set	158735
10	Spout overturning stopper, 100°	159426/10
11	Spout overturning stopper, 40°- 80°	159430/10
12	Fixing screw (10 pcs), M6x65	158747/10
13	Bottom seal	159434
14	Extension screw kit, M6	158893
15	Supporting plate, 100x60mm	158825
16	Fixing plates with nuts	158697



SP0076

	Name	Code
01	Headpart	158203V
02	Wing handle with screws	158206V