



1825FG Oras Vega - Kitchen faucet with dishwasher valve

EAN: 6414150089527

www.oras.com/en/products/oras/product/1825FG

Kitchen faucet with dishwasher valve with ceramic valve 90° rotation for ON/OFF. Spout's swing angle is factory preset at 120° (can be limited to 40°-80°). Lever is equipped with an eco-button for limiting flow-rate, which can be bypassed by pressing the button. With flexible pipes.



- Kitchen
- Single lever, top operated
- Deck mounted
- Chrome
- Swivel spout
- HONEYCOMB® - improved lime protection
- Mechanic stop valve for external equipment
- Single operating lever/handle, Hot/Cold symbols, Eco feature for water flow
- 40 mm ceramic cartridge for flow and temperature control
- 3S-installation system for safe and simple mounting

Technical data

Flow properties

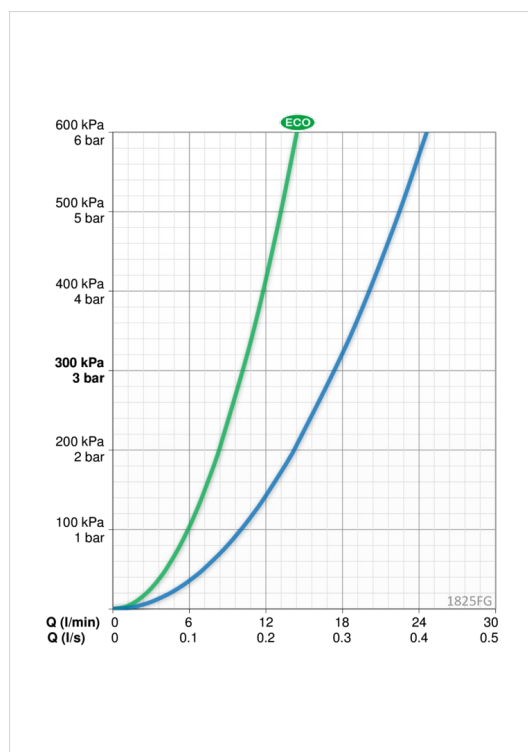
Eco-flow at 300 kPa	0.17 l/s
Flow-rate at 300 kPa	0.29 l/s
Pressure loss with flow (0.2 l/s)	150 kPa

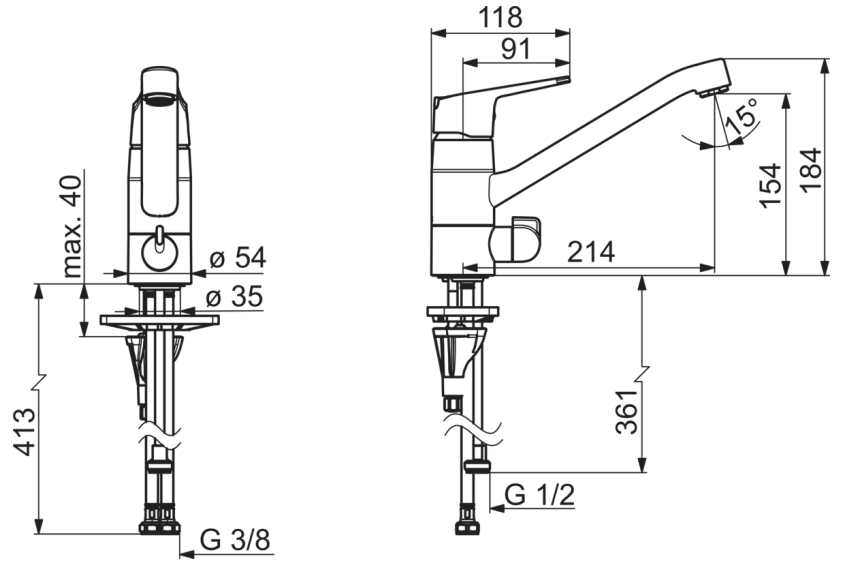
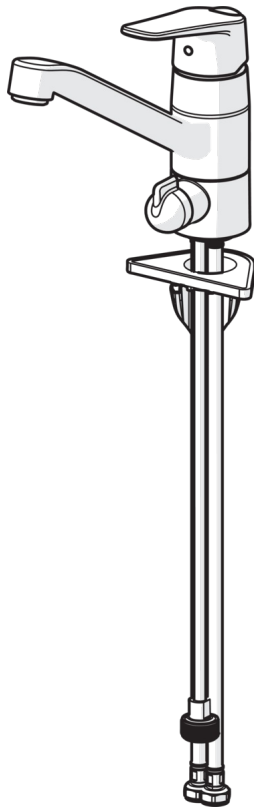
Technical properties

Hot water supply	max. +80°C
Working pressure	50 - 1000 kPa
Connection size	G3/8
Projection	214 mm
Material	brass

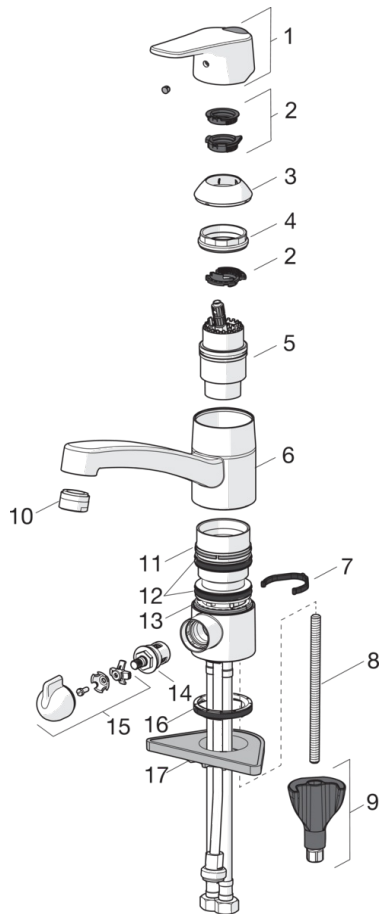
Regulations

EN standard	EN 817
Noise class	I (ISO 3822)





Spare parts



SP1825FG

	Name	Code
01	Lever	1000935V
02	Limiter	1004821V
03	Covering cap	602589V
04	Tightening nut	158726
05	Cartridge	158890
06	Spout, L=210	1005585V
07	Spout overturning stopper, 40°- 80°	1002207/10
07	Spout overturning stopper, 120°	1001406/10
08	Fixing screw, M8x1, L=130	1000780V
09	Fixing set	602610V
10	Aerator, M24x1 STD HC B	232210
11	Bearing ring	601097/10
12	X-sealing set	158735
13	Bearing ring	159423/10
14	Headpart, G1/2	602600V
15	Handle for washing machine valve	1005697V
16	Bottom seal	1002371V
17	Supporting plate, 100x60mm	158825