

EAN: 6414150060533

www.oras.com/en/products/oras/product/1839F



Kitchen faucet with high spout and dishwasher valve. Swivel spout and aerator. Spout's swing angle is factory preset at 120° (can be limited to 0° or 60°). The spout can be fixed in position on the left or right or at the back of the faucet. Firm two-component lever is equipped with an eco-button for limiting flow-rate which can be bypassed by pressing the button. Dishwasher valve for cold water.

F = with flexible pipes

- Kitchen
- Single lever, top operated
- Deck mounted
- Chrome
- Swivel spout, Swivel range limiting option
- Mechanic stop valve for external equipment
- Eco feature for water flow, Single operating lever/handle, Hot/Cold symbols
- 40 mm ceramic cartridge for flow and temperature control

Technical data

Flow properties

Eco-flow at 300 kPa	0.1 l/s
Flow-rate at 300 kPa	0.26 l/s
Pressure loss with flow (0.2 l/s)	180 kPa

Technical properties

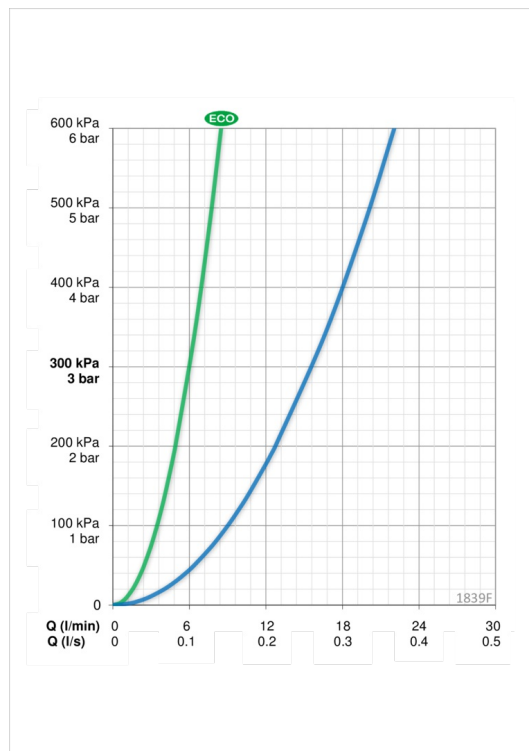
Hot water supply	max. +80°C
Working pressure	50 - 1000 kPa
Material	brass

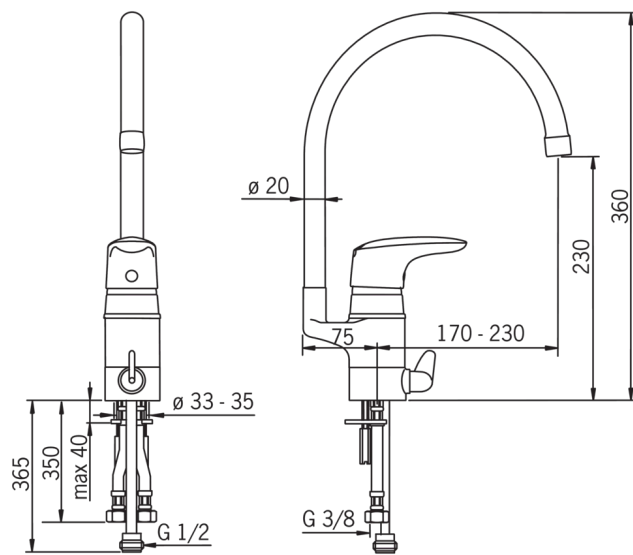
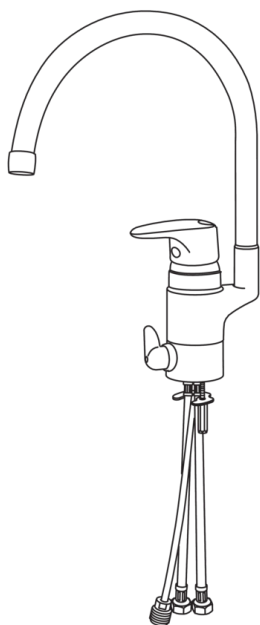
Regulations

EN standard	EN 817
Noise class	I (ISO 3822)

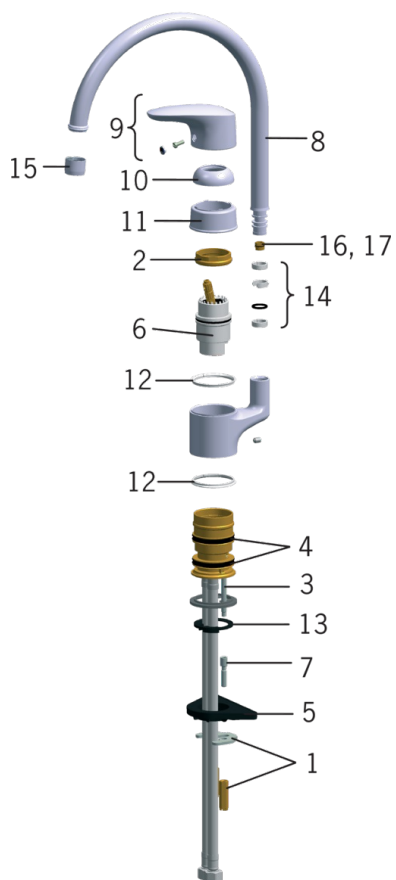
Type approvals

STF certificate	STF VTT-RTH-00100-11
-----------------	-----------------------------





Spare parts



SP1838F

Name	Code
01 Fixing plates with nuts	158697
02 Tightening nut	158726
03 Fixing screw (10 pcs), M6x65	158747/10
04 X-sealing set	158735
05 Supporting plate, 100x60mm	158825
06 Cartridge	158890
07 Extension screw kit, M6	158893
08 Spout	159695V
09 Lever	159319V
10 Flow limiting cap	159347V
11 Covering cap, threaded	159348V
12 Bearing ring	159423/10
13 Bottom seal	159434
14 Sealing kit	159499
15 Aerator, M22x1	232201
16 Spout overturning stopper, 120°	159670/10
17 Spout overturning stopper, 60°/0°	159667/10
17 Spout overturning stopper, 60°/0°	159667V

SP0076

Name	Code
01 Headpart	158203V
02 Wing handle with screws	158206V

