

EAN: 6414150097652
static.oras.com/1839FG-33



- Kitchen
- Single-lever, Dishwasher valve
- Deck mounted
- Matt black
- Swivel spout, Swivel range limiting option
- Standard aerator
- Mechanic stop valve for external equipment
- Single operating lever/handle, Hot/Cold symbols, Eco feature for water flow
- Limitation option for maximum temperature and flow-rate
- ϕ 40 mm ceramic cartridge for flow and temperature control
- Flexible inlet pipes
- 3S-installation system for safe and simple mounting

Technical data

Flow properties

Eco-flow at 300 kPa	0.146 l/s
Flow-rate at 300 kPa	0.27 l/s
Pressure loss with flow (0.2 l/s)	170 kPa

Technical properties

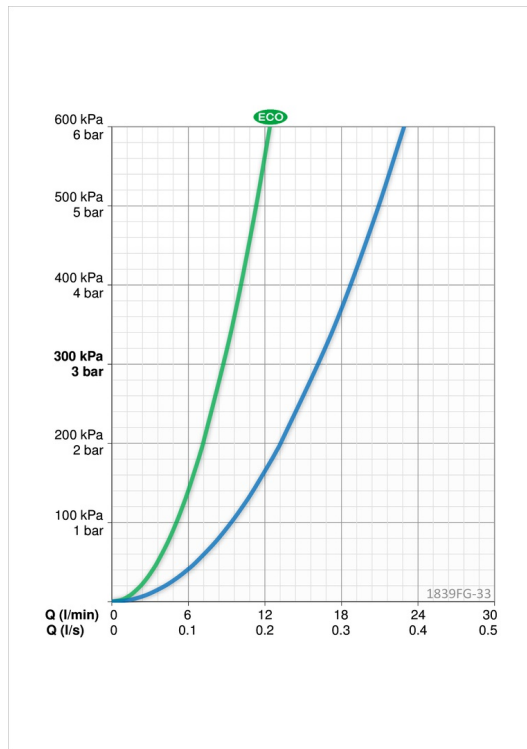
Hot water supply	max. +70°C
Working pressure	50 - 1000 kPa
Connection size	G3/8
Projection	178 mm
Material	Brass

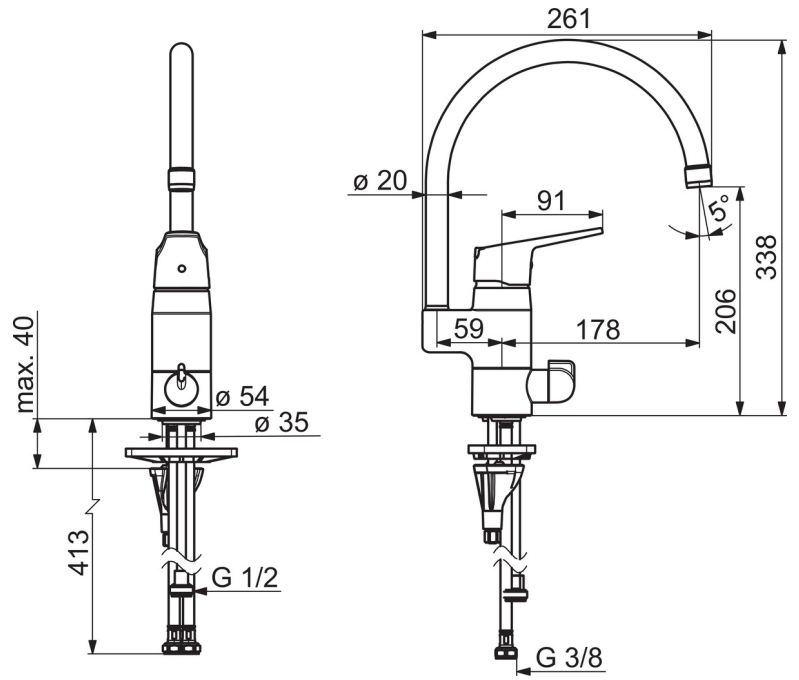
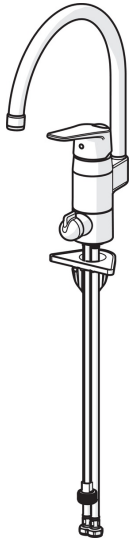
Regulations

EN standard	EN 817
Noise class	I (ISO 3822)

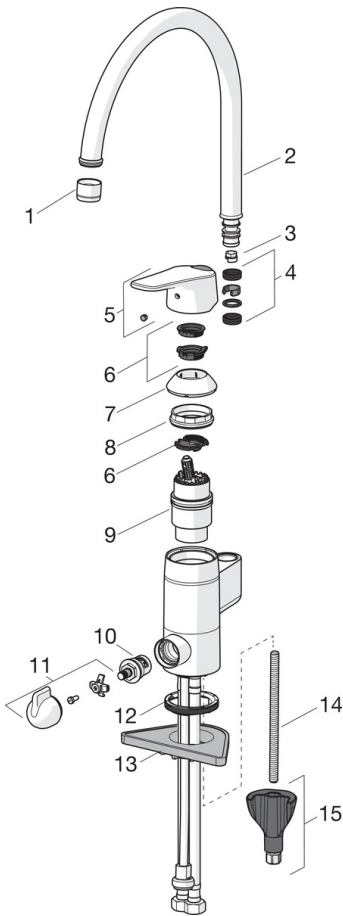
Approvals and Declarations

STF certificate	EUF129-20000935-TH1
-----------------	----------------------------





Spare parts



SP1839FG-33

Name	Code
03 Spout overturning stopper, 60°/0°	159667/10
03 Spout overturning stopper, 120°	159670/10
03 Spout overturning stopper, 60°/0°	159667V
04 Sealing kit	159499
06 Limiter	1004821V
08 Tightening nut	158726
09 Cartridge	158890
10 Headpart, G1/2	602600V
12 Bottom seal	1002371V
13 Supporting plate, 100x60mm	158825
14 Fixing screw, M8x1, L=130	1000780V
15 Fixing set	602610V