

EAN: 6414150089688

www.oras.com/en/products/oras/product/1870G



Shower faucet. Shower hose connection G3/4. Lever is equipped with an eco-button for limiting water temperature and flow-rate, which can be bypassed by pressing the button.

- Shower
- Single-lever
- Wall mounted
- Chrome
- Single operating lever/handle, Hot/Cold symbols, Eco feature for water flow
- Limitation option for maximum temperature and flow-rate
- \varnothing 40 mm ceramic cartridge for flow and temperature control
- Silencer(s)

Technical data

Flow properties

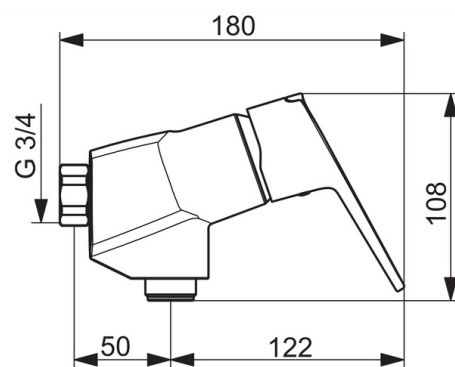
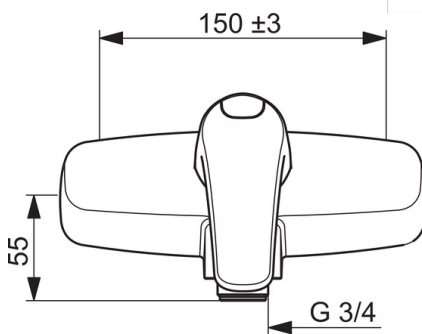
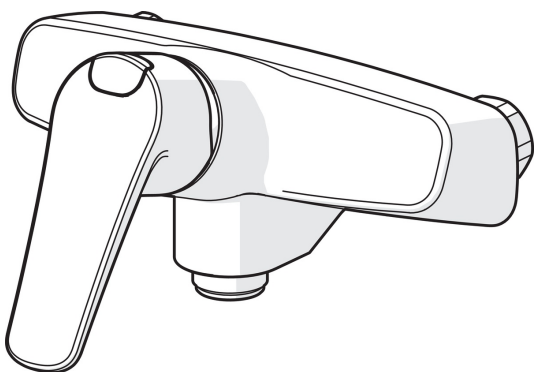
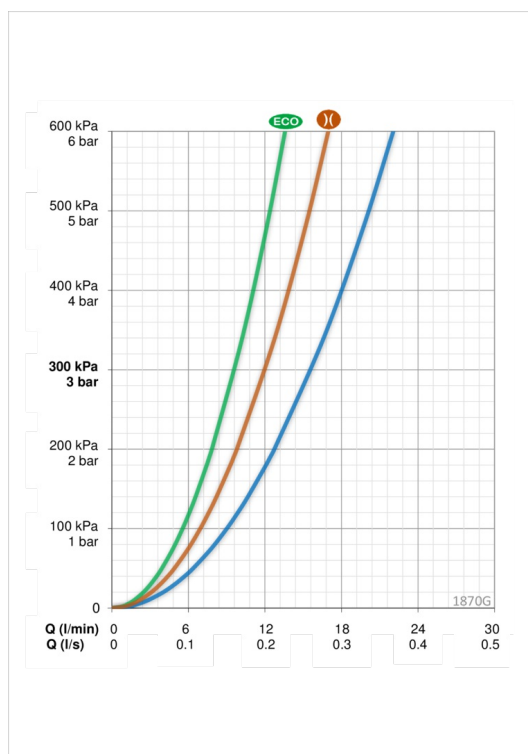
Eco-flow at 300 kPa	0.16 l/s
Flow-rate at 300 kPa	0.26 l/s
Flow-rate at 300 kPa (with flow reducers)	0.2 l/s
Pressure loss 0.2 l/s (with flow reducers)	300 kPa
Pressure loss with flow (0.2 l/s)	180 kPa

Technical properties

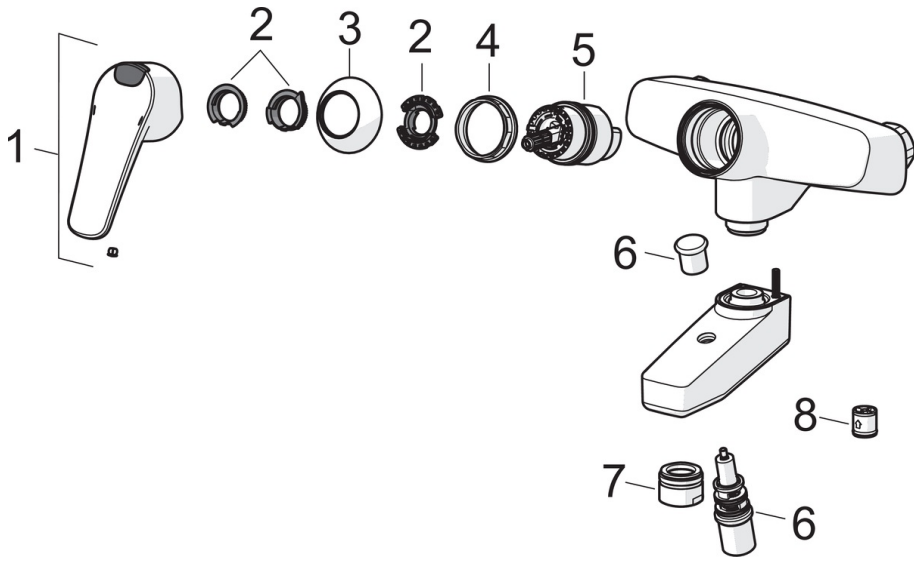
Hot water supply	max. +80°C
Working pressure	50 - 1000 kPa
Connection size	G3/4
Installation width	150 ± 3 mm
Material	Brass

Regulations

EN standard	EN 817
Noise class	I (ISO 3822)



Spare parts



SP1871G

	Name	Code
01	Lever	1000935V
02	Limiter	1004821V
03	Covering cap	1000785V
04	Tightening nut	158726
05	Cartridge	158890
06	Diverter	602103V
07	Aerator, M28x1	232213
08	Non-return valve	601989V