

Shower faucet. Shower hose connection G1/2. Firm two-component lever is equipped with an ecobutton for limiting water temperature and flow-rate, which can be bypassed by pressing the button.



- Shower solutions
- Single-lever
- Wall mounted
- Chrome
- Single operating lever/handle, Eco feature for water flow, Hot/Cold symbols
- Limitation option for maximum temperature and flow-rate
- \varnothing 40 mm ceramic cartridge for flow and temperature control, Non-return valve(s)
- Silencer(s)

Technical data

Flow properties

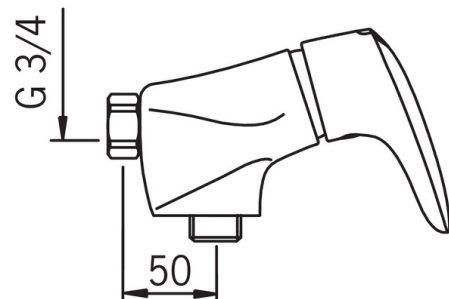
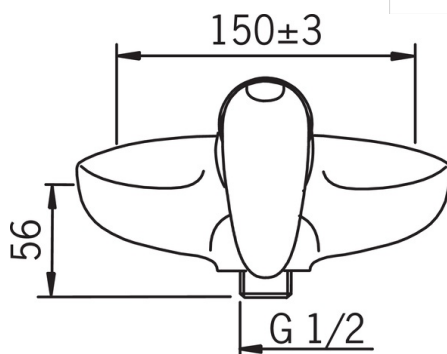
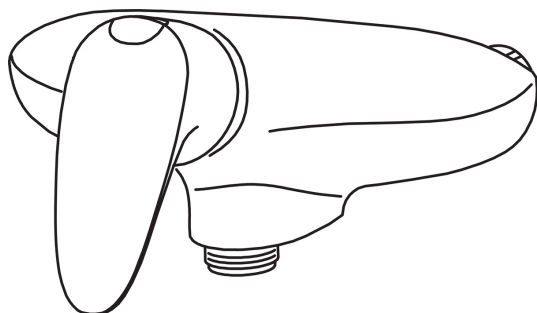
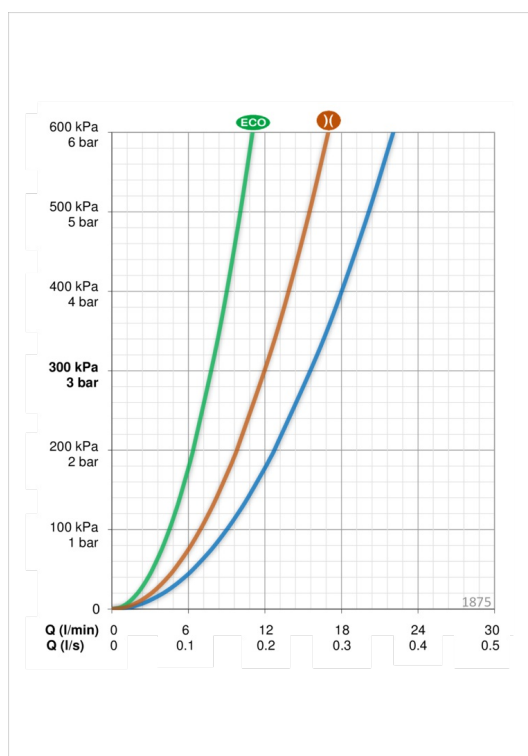
Eco-flow at 300 kPa	0.13 l/s
Flow-rate at 300 kPa	0.26 l/s
Flow-rate at 300 kPa (with flow reducers)	0.2 l/s
Pressure loss 0.2 l/s (with flow reducers)	300 kPa
Pressure loss with flow (0.2 l/s)	180 kPa

Technical properties

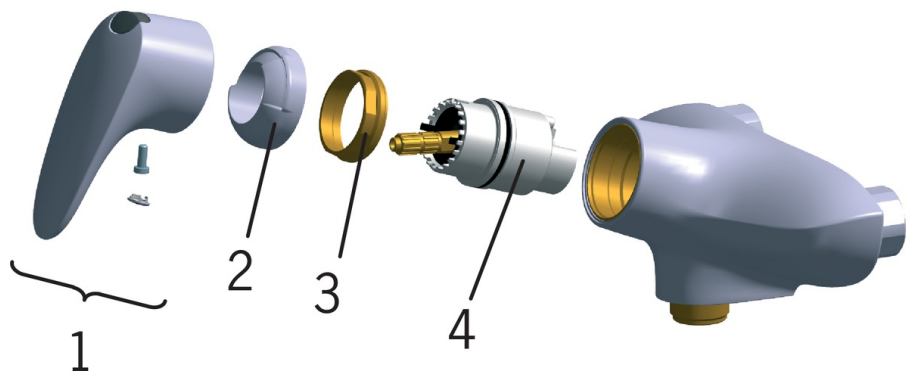
Hot water supply	max. +80°C
Working pressure	50 - 1000 kPa
Material	Brass/Plastic

Regulations

EN standard	EN 817
Noise class 0.2 l/s	I (ISO 3822) Oras lab.



Spare parts



SP1870

	Name	Code
01	Lever	159319V
02	Limiting cup	159346V
03	Tightening nut	158726
04	Cartridge	158890