

EAN: 6414150043758
static.oras.com/1885

Shower faucet

Shower hose connection G1/2. Firm two-component lever is equipped with an ecobutton for limiting water temperature and flow-rate which can be bypassed by pressing the button.

- Shower
- Single-lever
- Wall mounted
- Chrome
- Single operating lever/handle, Eco feature for water flow, Hot/Cold symbols
- Limitation option for maximum temperature and flow-rate
- \varnothing 40 mm ceramic cartridge for flow and temperature control

Technical data

Flow properties

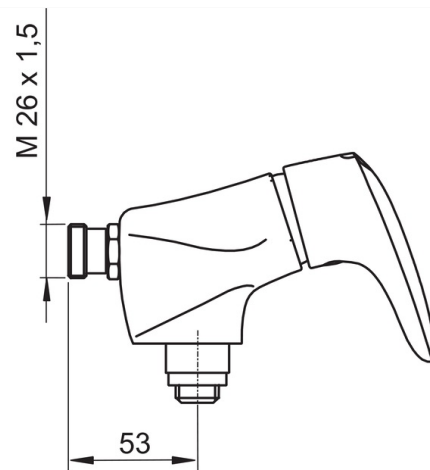
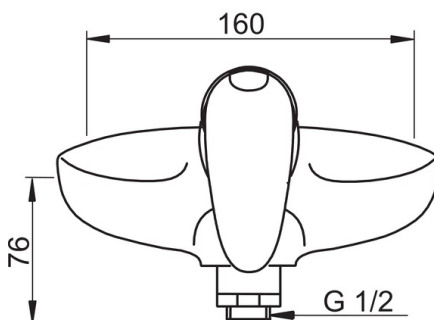
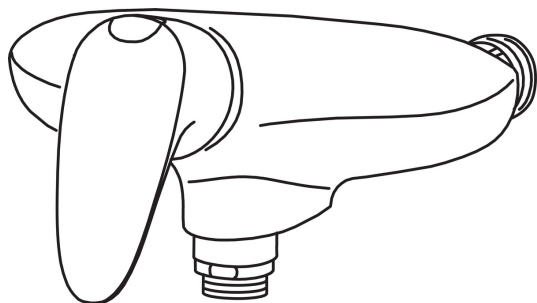
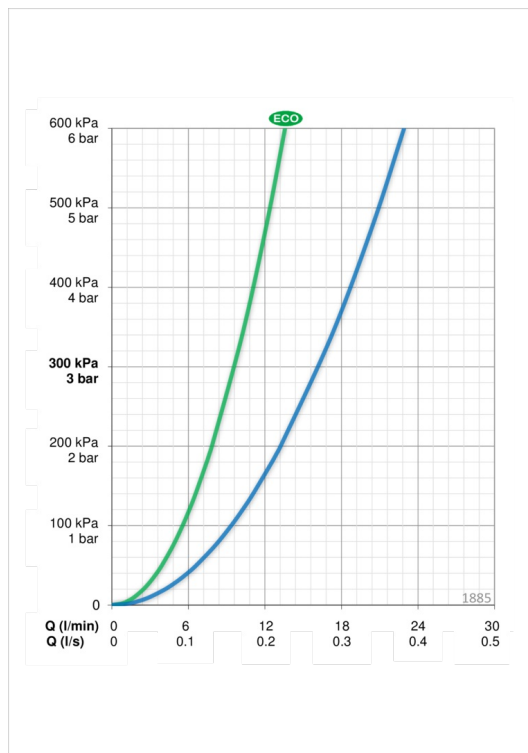
Eco-flow at 300 kPa	0.16 l/s
Flow-rate at 300 kPa	0.27 l/s
Pressure loss with flow (0.2 l/s)	170 kPa

Technical properties

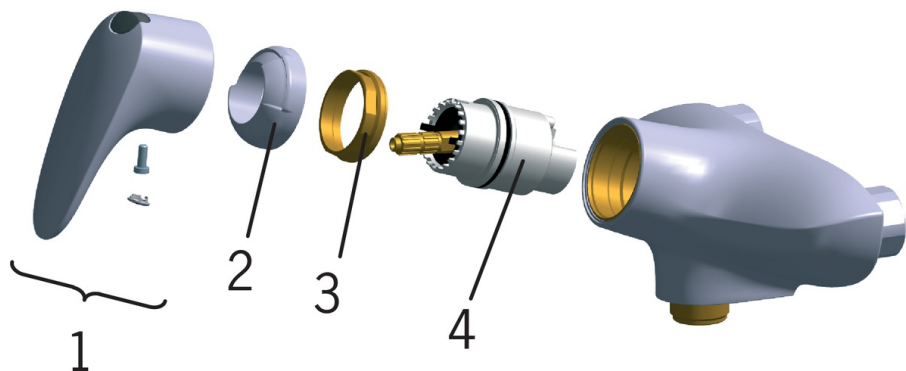
Hot water supply	max. +80°C
Working pressure	50 - 1000 kPa
Installation width	cc160 mm

Regulations

EN standard	EN 817
Noise class	II (ISO 3822) Oras lab.



Spare parts



SP1870

	Name	Code
01	Lever	159319V
02	Limiting cup	159346V
03	Tightening nut	158726
04	Cartridge	158890