

EAN: 6414150052644

www.oras.com/en/products/oras/product/1910

Washbasin faucet with fixed spout and aerator. There are also in-built limitation options for water temperature and maximum flow-rate.

- Bathroom
- Single lever
- Deck mounted
- Chrome
- Fixed spout
- Single operating lever/handle



Technical data

Flow properties

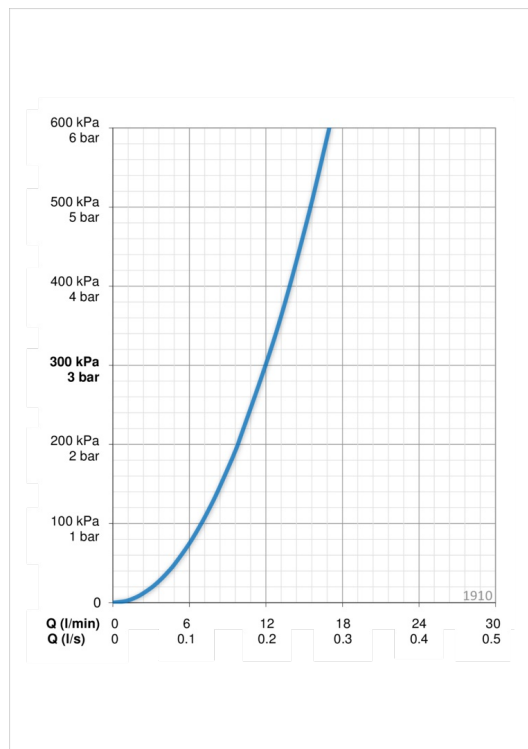
Flow-rate at 300 kPa	0.2 l/s
Pressure loss with flow (0.1 l/s)	75 kPa

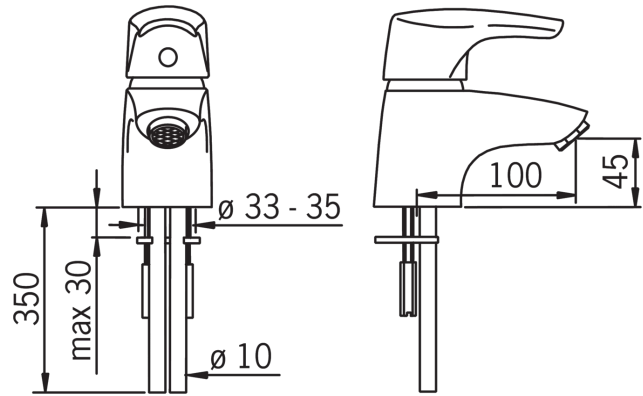
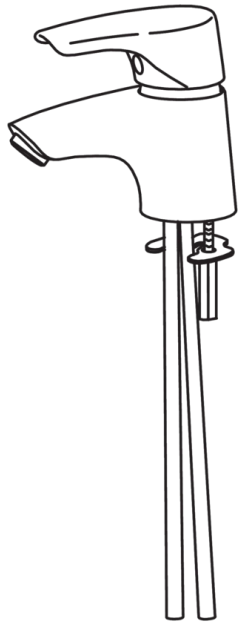
Technical properties

Hot water supply	max. +80°C
Working pressure	50 - 1000 kPa

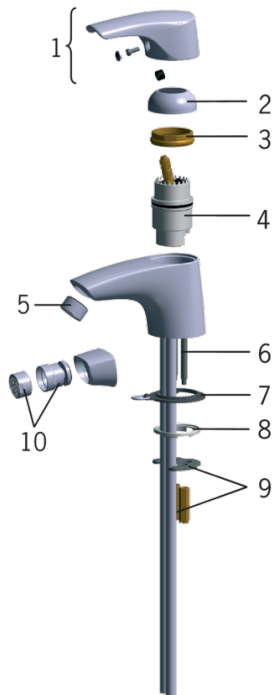
Regulations

EN standard	EN 817
Noise class	I (ISO 3822)





Spare parts



SP1910

	Name	Code
01	Lever	159260V
02	Covering cap	158174
03	Tightening nut	158726
04	Cartridge	158890
05	Aerator, M24 x 1 STD HC A	232211
06	Fixing screw (10 pcs), M6x55	158727/10
07	Washer with chain holder	159264V
08	Washer set	159425/10
09	Fixing plates with nuts	158697
10	Aerator with ball joint, M24x1/M24x1	232511