

EAN: 6414150059131

www.oras.com/en/products/oras/product/1942

- Bathroom, Shower
- Wall mounted
- Chrome
- Silencer(s)



Technical data

Flow properties

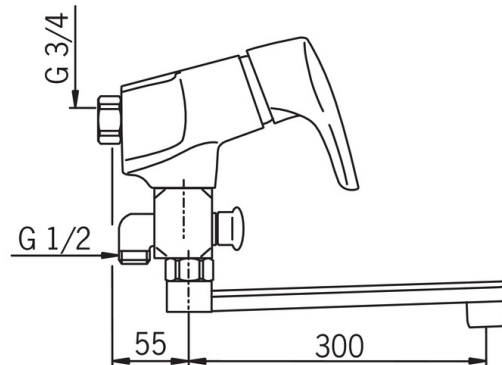
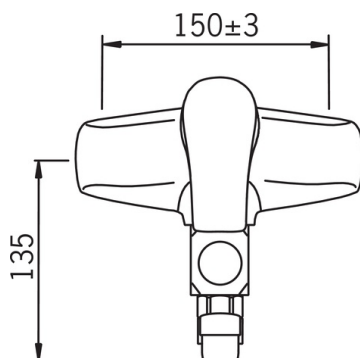
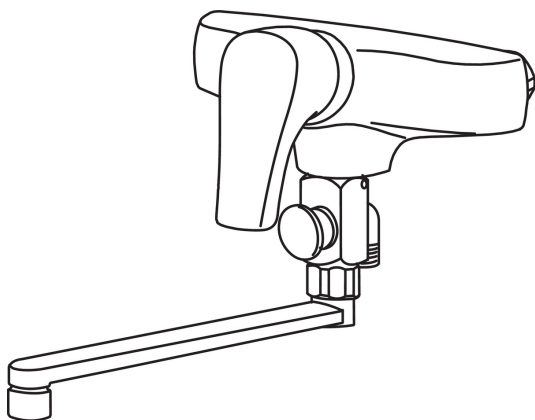
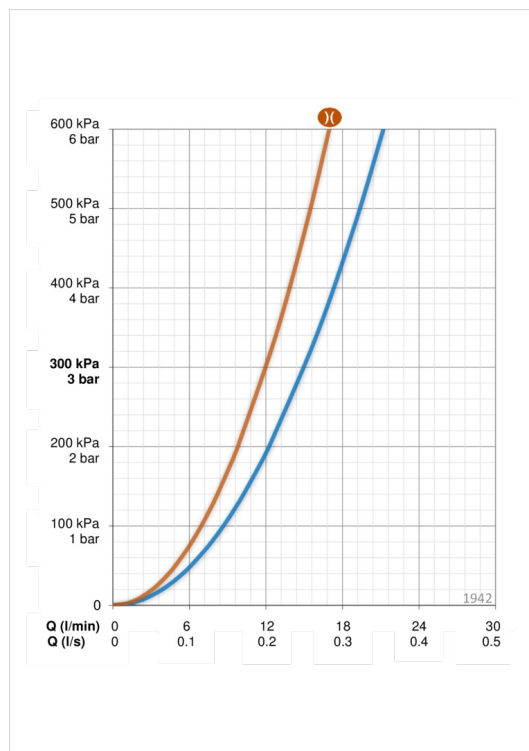
Flow-rate at 300 kPa	0.25 l/s
Flow-rate at 300 kPa (with flow reducers)	0.2 l/s
Pressure loss 0.2 l/s (with flow reducers)	300 kPa
Pressure loss with flow (0.2 l/s)	190 kPa

Technical properties

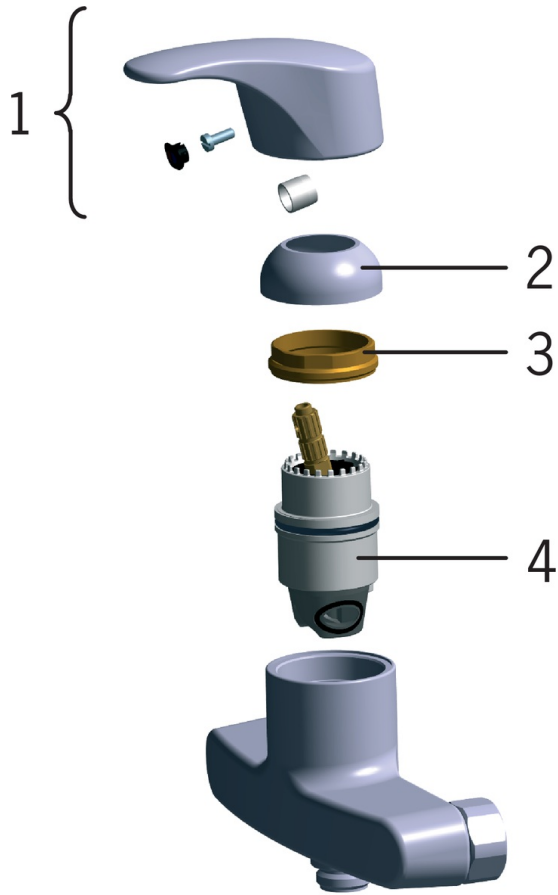
Hot water supply	max. +80°C
Working pressure	50 - 1000 kPa

Regulations

Noise class 0.2 l/s	I (ISO 3822) Oras lab.
Noise class 0.3 l/s	II (ISO 3822) Oras lab.

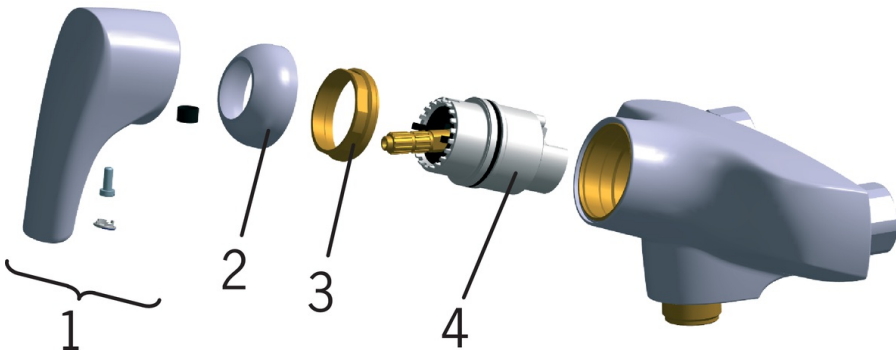


Spare parts



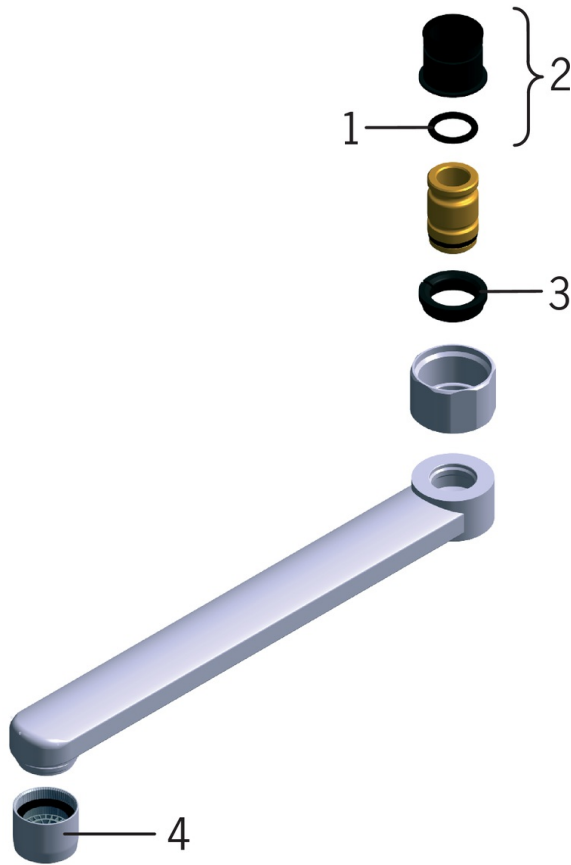
SP0098

	Name	Code
01	Lever, (-2006)	159893
02	Covering cap	158174
03	Tightening nut	158726
04	Cartridge	158888



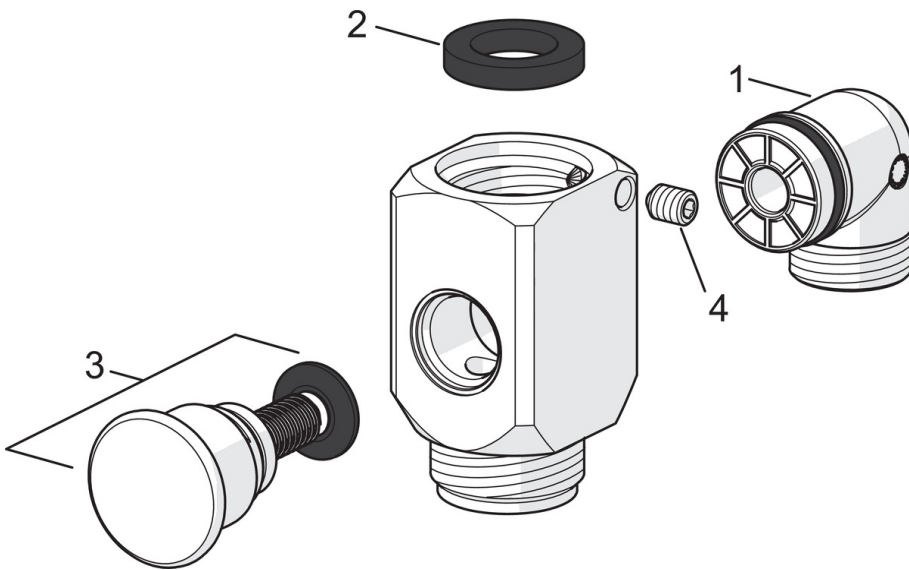
SP1960

	Name	Code
01	Lever, (2007-)	159260V
02	Covering cap	158174
03	Tightening nut	158726
04	Cartridge	158890



SP0044

	Name	Code
01	O-ring, 13.6x2.4	469360/10
02	Bushing (10 pcs), 18/20.6	219595/10
03	Retaining ring (10 pcs)	219563/10
04	Aerator, M22x1	232201



SP0061

	Name	Code
01	Connector	209692
02	Sealing kit, D24/15x4	209675/10
03	Diverter	209695
04	Retaining screw (10 pcs), M6x8	229518/10