

EAN: 6414150059308

www.oras.com/en/products/oras/product/1946F



- Bathroom
- Single lever, top operated
- Rim mounted
- Chrome
- HONEYCOMB® - improved lime protection
- Single operating lever/handle, Hot/Cold symbols
- Non-return valve(s)

Technical data

Flow properties

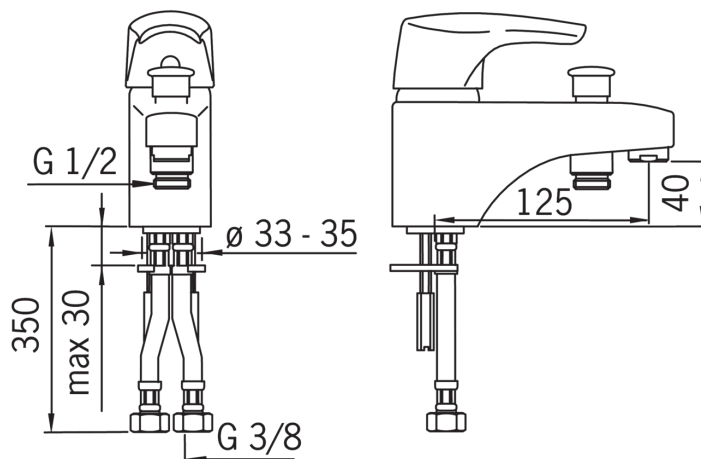
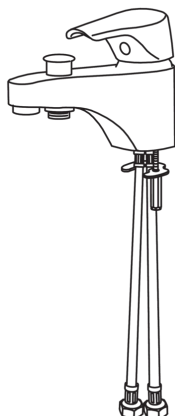
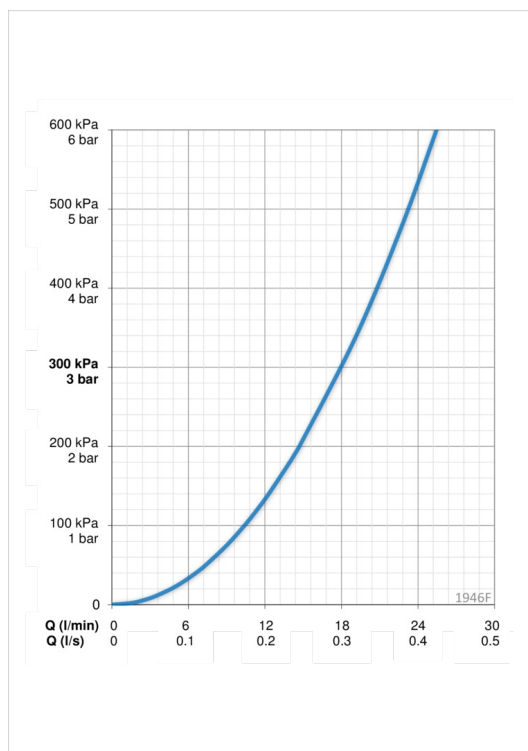
Flow-rate at 300 kPa **0.3 l/s**

Technical properties

Hot water supply **max. +80°C**
 Working pressure **50 - 1000 kPa**

Regulations

EN standard **EN 817**
 Noise class **II (ISO 3822)**



Spare parts

SP0114

	Name	Code
01	Lever	159893
02	Covering cap	158174
03	Tightening nut	158726
04	Cartridge	158888
05	Diverter	209695
06	Aerator, M24 x 1 STD HC A	232211
07	Fixing screw (10 pcs), M6x55	158727/10
08	Washer set	159425/10
09	Fixing plates with nuts	158697

SP1946F

	Name	Code
01	Lever	159260V
02	Covering cap	158174
03	Tightening nut	158726
04	Cartridge	158888
05	Diverter	209695
06	Aerator, M24x1 C	232214
07	Washer set	159425/10
08	Fixing plates with nuts	158697

