

EAN: 6414150086137
static.oras.com/2068

Oras Bluebox cover part for thermostatic bath and shower faucet with volume and temperature control handle. Round plate. Included function unit and cover plate. Suitable for body parts Oras nr 2080 and 2081.



- Bath tub & Shower
- Trim Kit
- Concealed wall mounting
- Chrome
- Temperature control handle, Flow control handle
- Turn operated diverter
- Non-return valve(s), Thermostatic cartridge for automatic temperature control
- Softedgewallrosette

Technical data

Flow properties

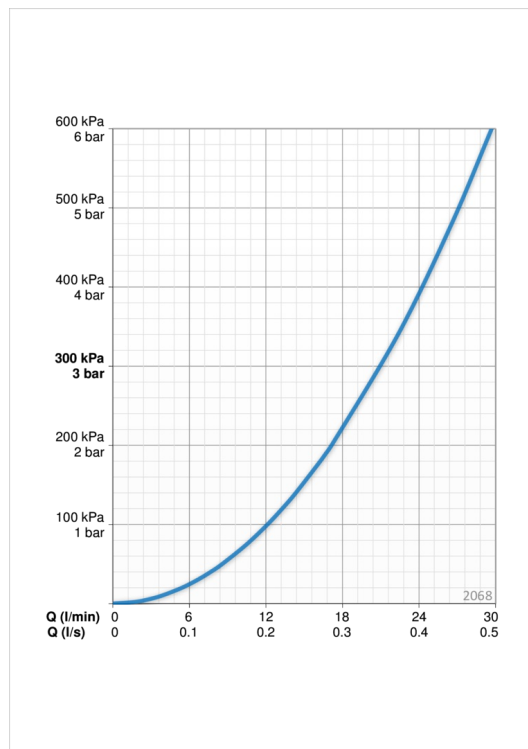
Flow-rate at 300 kPa	0.35 l/s
Pressure loss with flow (0.2 l/s)	100 kPa
Pressure loss with flow (0.3 l/s)	220 kPa

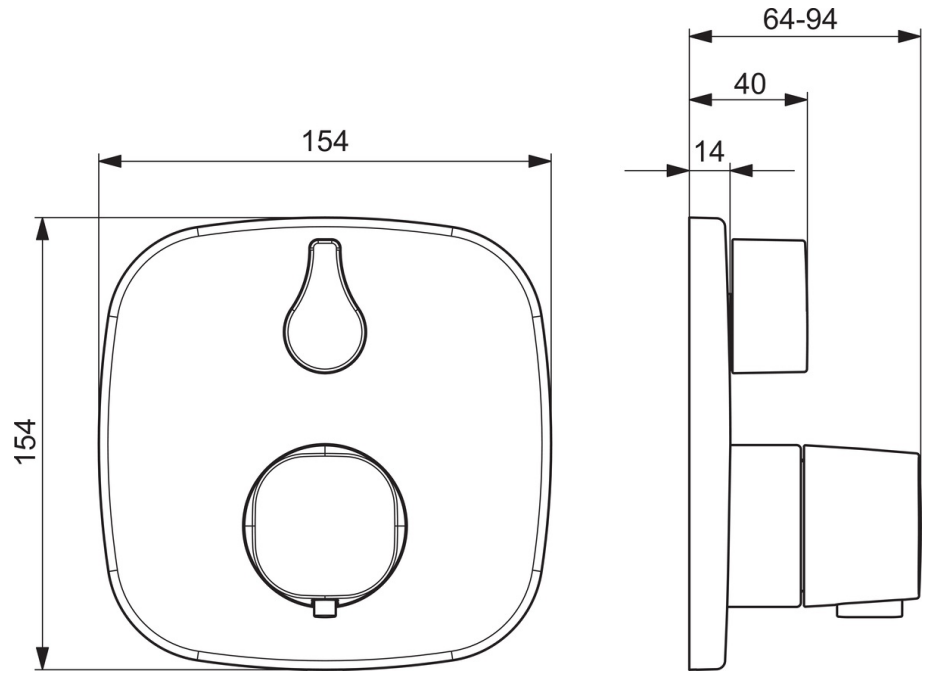
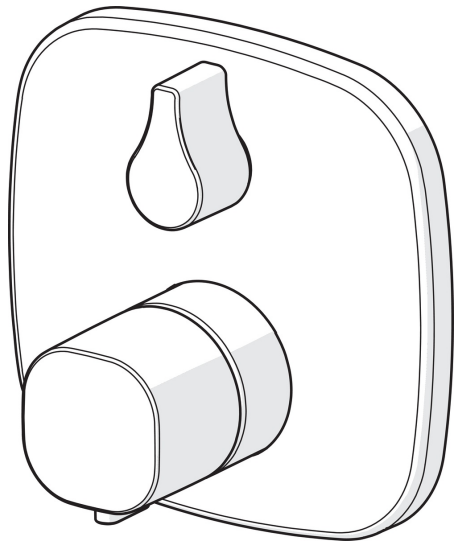
Technical properties

Hot water supply	max. +80°C
Working pressure	50 - 1000 kPa
Material	Brass

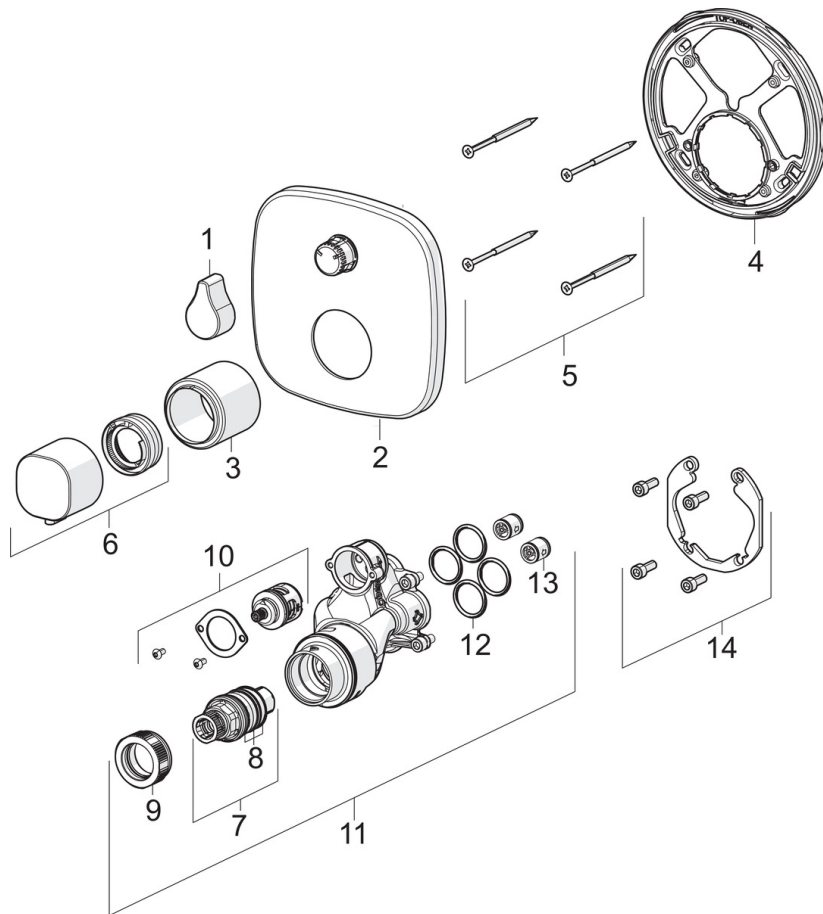
Regulations

EN standard	EN 1111
Noise class	I (ISO 3822)





Spare parts



SP2068

	Name	Code
01	Flow control handle	1002599V
02	Cover plate, 154x154 mm	1002651V
03	Cover sleeve Discontinued	602664V
04	Fixing part Discontinued	602655V
05	Screw, M4.5x80	602652V
06	Temperature control handle Discontinued	602012V
07	Thermostatic cartridge	178780V
08	O-ring kit	178796V
09	Tightening nut, M36x1.5, SW38 Discontinued	178706V
10	Diverter and cartridge	198282V
11	Functional unit Discontinued	602666V
12	O-ring, 23.47x2.62	602649V
13	Non-return valve	601989V
14	Installation kit	602646V