

EAN: 6414150081859

www.oras.com/en/products/oras/product/2087

Oras Bluebox cover part for thermostatic shower faucet with volume and temperature control handles. Round plate. Included function unit and cover plate. Suitable for body parts Oras nr 2080 and 2081.



- Shower
- Trim Kit
- Wall mounted for concealed unit
- Chrome
- Non-return valve(s)

Technical data

Flow properties

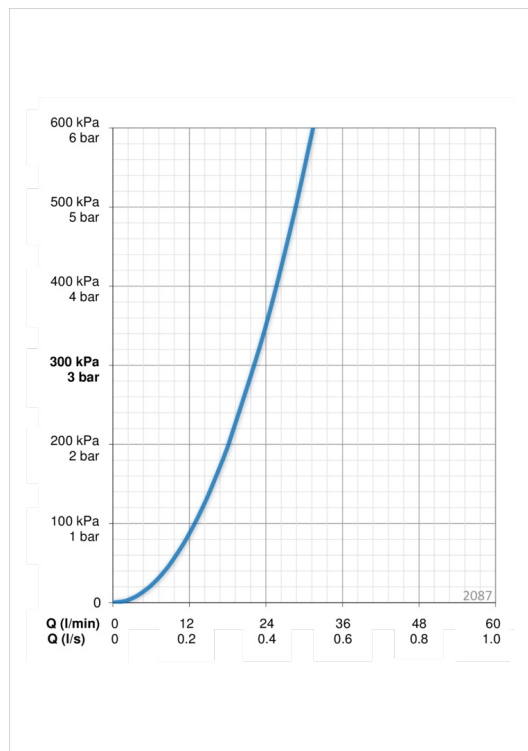
Flow-rate at 300 kPa **0.37 l/s**

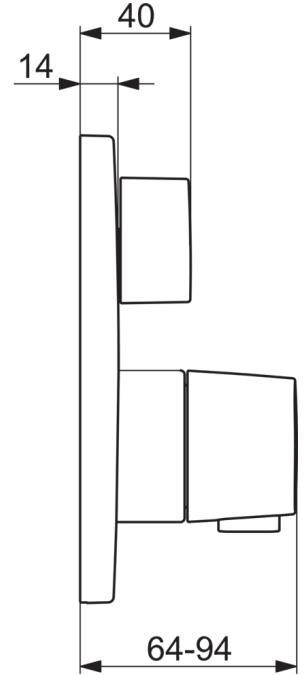
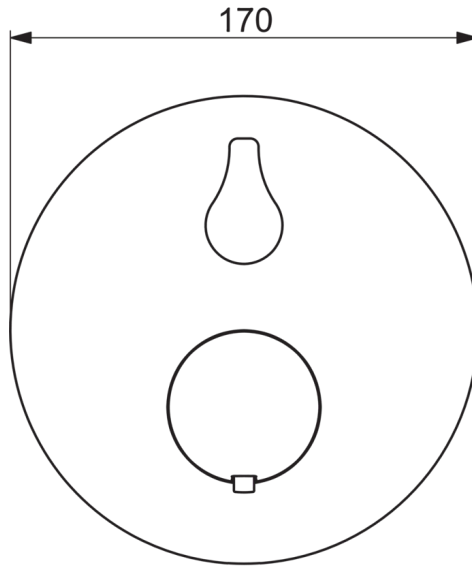
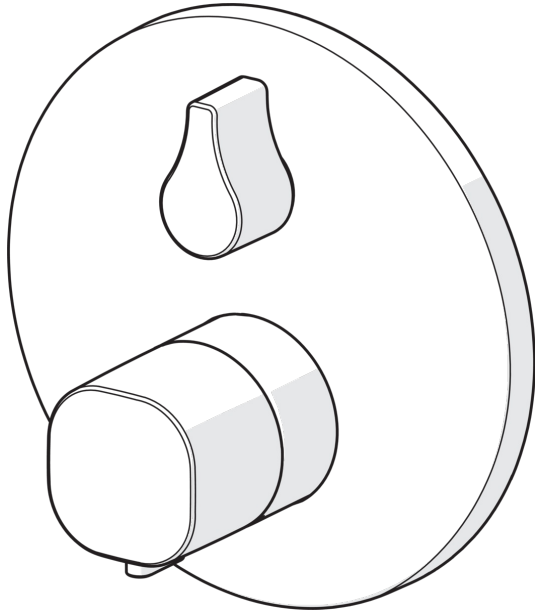
Technical properties

Hot water supply **max. +80°C**
Working pressure **100 - 1000 kPa**

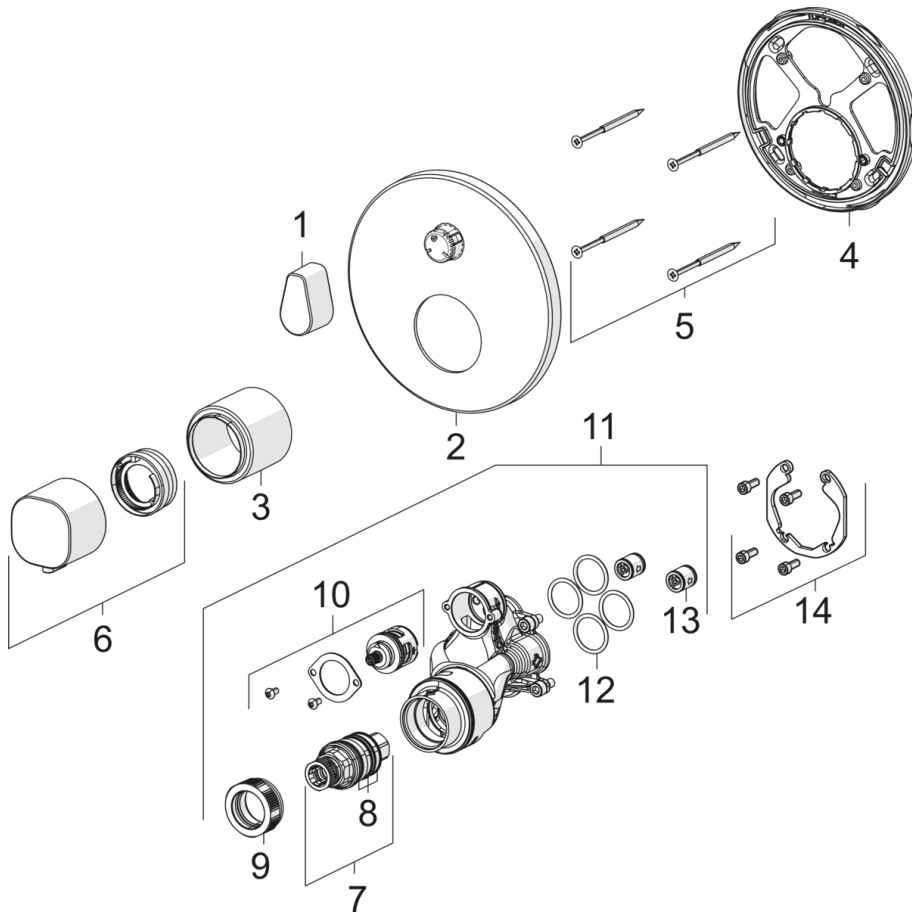
Regulations

Noise class **I (ISO 3822)**





Spare parts



SP2087

	Name	Code
01	Flow control handle	1002599V
02	Cover flange	602663V
03	Cover sleeve	602664V
04	Fixing part	602655V
05	Screw, M4.5x80	602652V
06	Temperature control handle	602012V
07	Thermostatic cartridge	178780V
08	O-ring kit	178796V
09	Tightening nut, M36x1.5, SW38	178706V
10	Diverter/Cartridge	198282V
11	Functional unit	602665V
11	Functional unit	602666V
12	O-ring, 23.47x2.62	602649V
13	Non-return valve	601989V
14	Installation kit	602646V