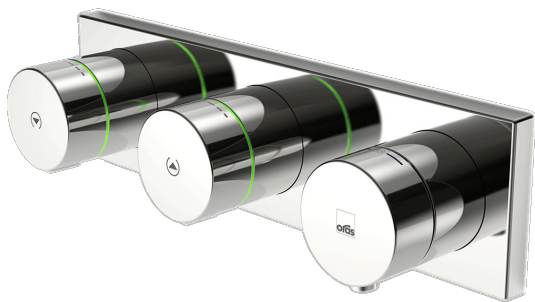


EAN: 6414150075582

www.oras.com/en/products/oras/product/2219C

Cover part for concealed thermostatic bath and shower faucet with two outlets. Mains supply 230/12 V. Body part no. 2219A is sold separately.



- Bathroom, Shower
- Trim Kit, External transformer
- Wall mounted for concealed unit
- Chrome
- Temperature control handle, Flow control handle
- Solenoid valve, External control unit, Power supply, Light indicated function(s)
- Filling time: 10 min (0 - 20 min)

Technical data

Flow properties

Flow-rate at 300 kPa	0.2 l/s
Pressure loss with flow (0.2 l/s)	300 kPa

Technical properties

Hot water supply	max. +70°C
Working pressure	100 - 1000 kPa
Material	Brass

Software settings

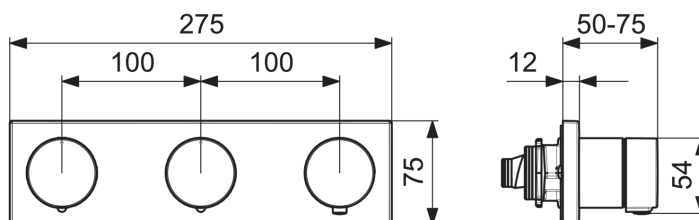
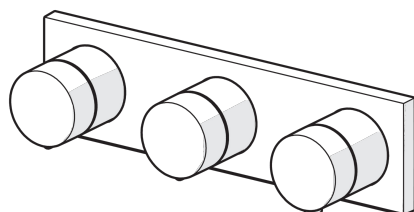
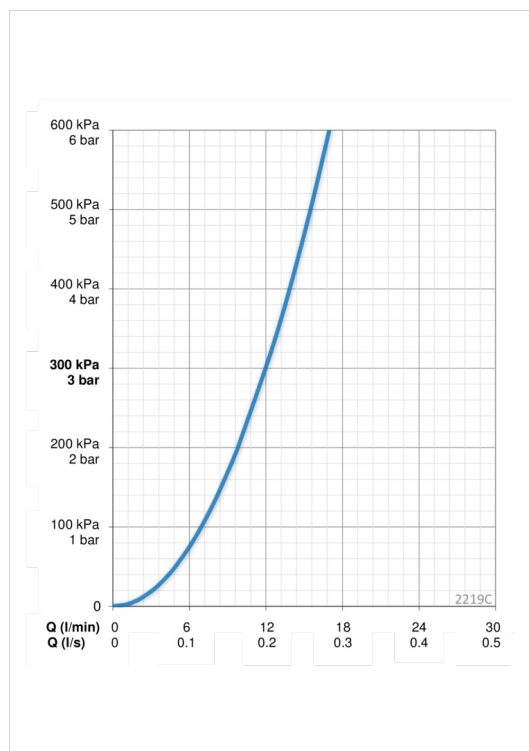
Max. flow period	8 min
------------------	--------------

Electronic properties

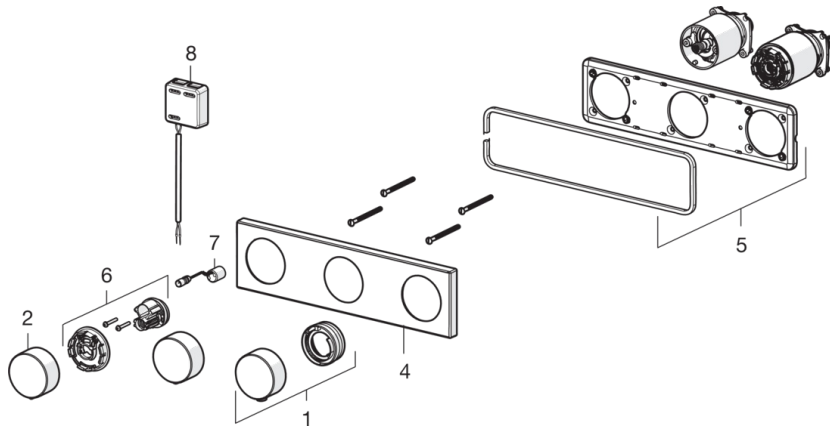
Electrical Connection	230 / 12 V
-----------------------	-------------------

Regulations

EMC Directive	CE 2004/108/EY
EN standard	EN 15091
Noise class	I (ISO3822) Oras lab
Protection class	IP 55 / transformer IP 40



Spare parts



SP2219C

	Name	Code
01	Temperature control handle	602228V
02	Flow control handle	602178V
03	Bushing	602348V
04	Cover plate	602379V
05	Cover plate holder	602347V
06	Control unit, 3 V	602181V
07	Solenoid valve	602182V
08	Control unit, 12 V	602214V