

Oras remote valve for dishwasher or washing machine. The product consists of Smart Press Pad, control unit and electronic valve. Valve's open duration is preset to 4h. Battery operated (3 V).

- Kitchen
- Battery-operated
- Chrome
- Solenoid valve, External control unit, Low battery indicator



Technical data

Flow properties

Flow-rate at 300 kPa	0.27 l/s
Pressure loss with flow (0.2 l/s)	160 kPa

Technical properties

Hot water supply	max. +70°C
Working pressure	100 - 1000 kPa
Diameter	52 mm
Material	Composite

Software settings

Dishwasher valve open period	4 h / 12 h
------------------------------	-------------------

Electronic properties

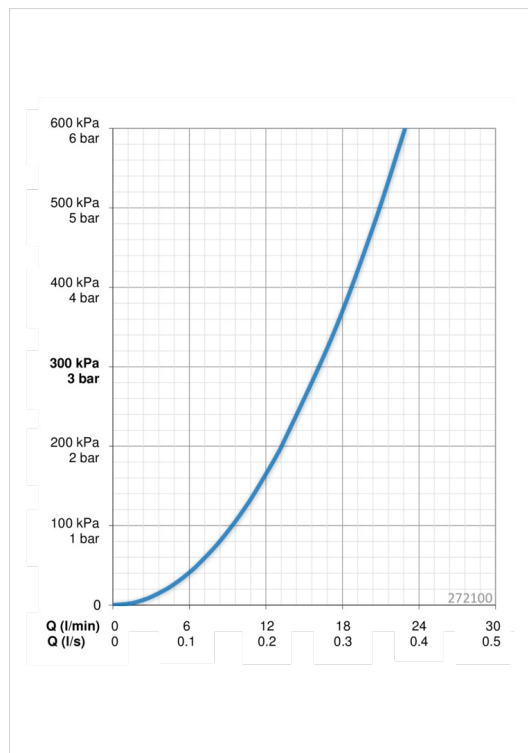
Battery	AA 1.5 V Lithium x 2, CR 2450 3 V
---------	--

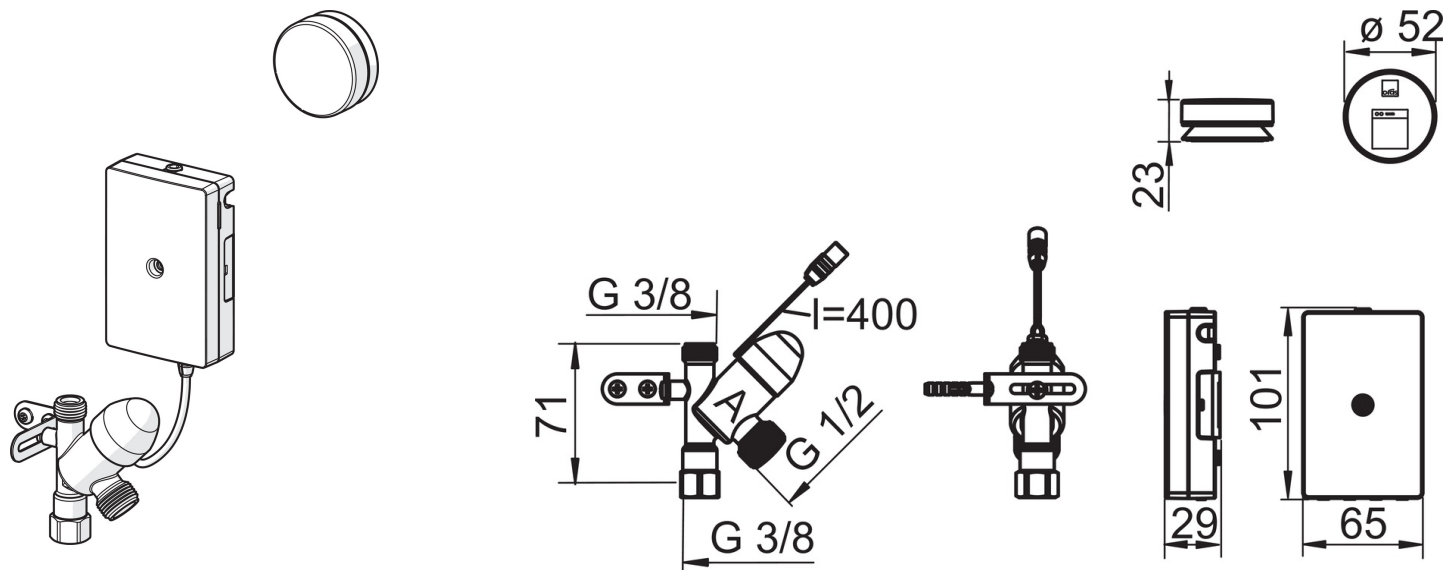
Regulations

EMC Directive	C E 2014/30/EU
Noise class	I (ISO 3822)
Protection class	IP 54

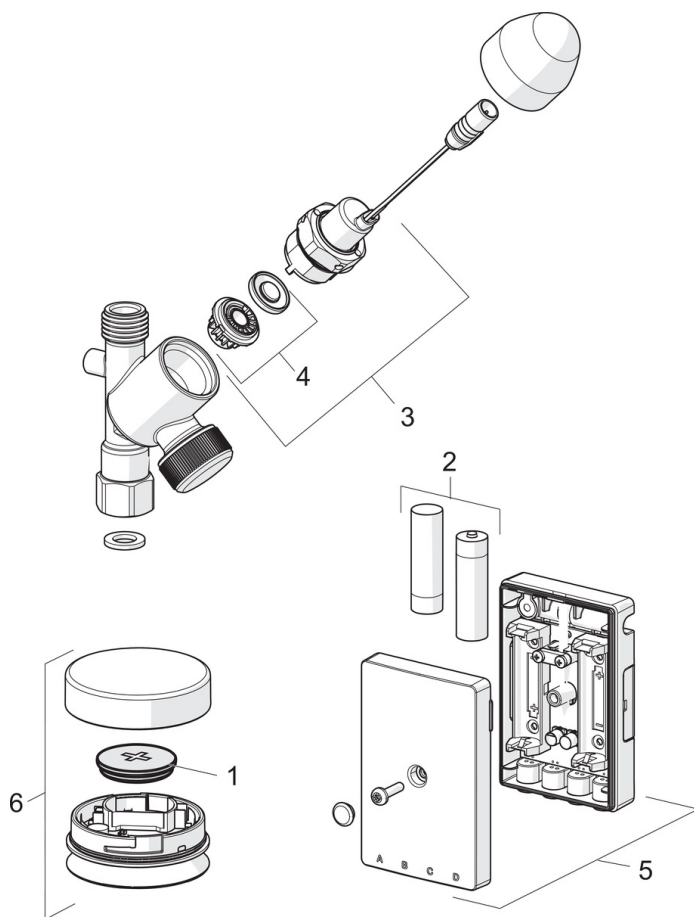
Approvals and Declarations

UN38.3	UN38-3 Energizer L91
--------	-----------------------------





Spare parts



SP272100

	Name	Code
01	Battery, CR2450 3 V Lithium	601468V
02	Battery, 1.5 V AA Lithium	600599V
03	Pilot valve, 3 V	601884V-F
04	Membrane	601512V
05	Control unit, 3 V	601825V
06	Push button, 3 V	601823V