

EAN: 6414150072482

www.oras.com/en/products/oras/product/272101



Oras remote valve for dishwasher or washing machine. The product consists of Smart Press Pad, control unit and electronic valve. Valve's open duration is preset to 4h. Mains operated (230/5 V).

- Kitchen, Utility room
- Plug-in transformer
- Chrome
- Remote controlled stop valve for external equipment
- Impulse-controlled solenoid valve, External control unit, Power supply

Technical data

Flow properties

Flow-rate at 300 kPa	0.27 l/s
Pressure loss with flow (0.2 l/s)	160 kPa

Technical properties

Hot water supply	max. +70°C
Working pressure	100 - 1000 kPa

Software settings

Dishwasher valve open period	4 h / 12 h
------------------------------	-------------------

Electronic properties

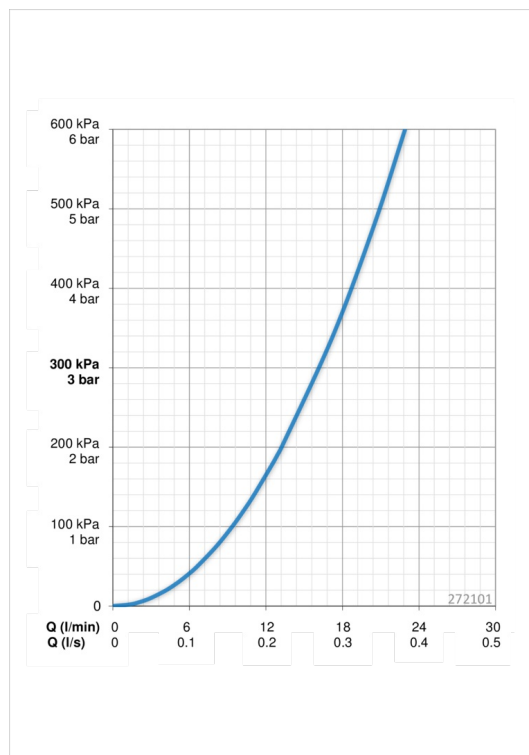
Electrical Connection	230 / 5 V
-----------------------	------------------

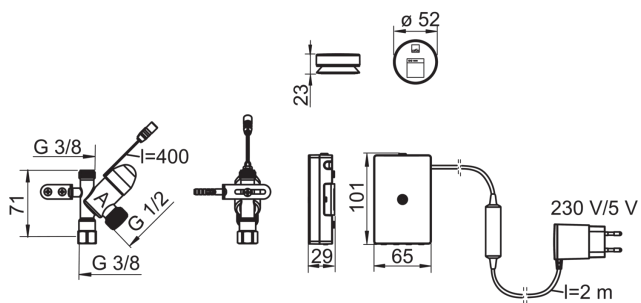
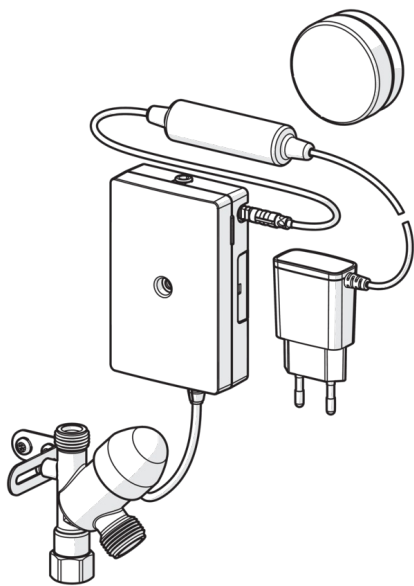
Regulations

EMC Directive	CE 2004/108/EY
Noise class	I (ISO 3822)
Protection class	IP 54 / transformer IP 40

Type approvals

STF certificate	VTT-RTH-00001-16
-----------------	-------------------------





Spare parts

SP272101

	Name	Code
01	Battery, CR2450 3 V Lithium	601468V
02	Pilot valve, 3 V	601884V-F
03	Membrane	601512V
04	Power supply	601472V
05	Control unit, 230/5 V	601824V

