

EAN: 6414150058639

www.oras.com/en/products/oras/product/2801



High washbasin faucet with fixed spout, aerator and rapid pop-up waste.

- Bathroom
- Single lever, top operated
- Deck mounted
- Chrome
- Fixed spout
- HONEYCOMB® - improved lime protection
- Single operating lever/handle, Hot/Cold symbols
- Push pop-up waste without draw-rod
- Limitation option for maximum temperature and flow-rate
- ø 40 mm ceramic cartridge for flow and temperature control
- Copper inlet pipes

Technical data

Flow properties

| | |
|-----------------------------------|----------------|
| Flow-rate at 300 kPa | 0.2 l/s |
| Pressure loss with flow (0.1 l/s) | 75 kPa |

Technical properties

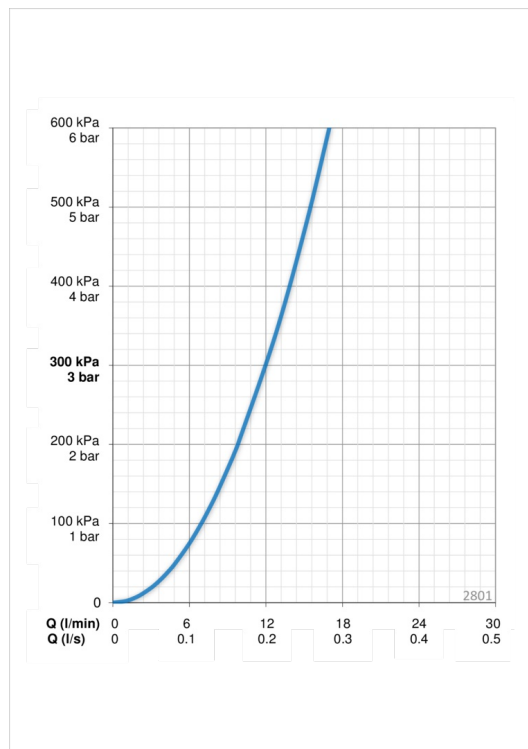
| | |
|------------------|----------------------|
| Hot water supply | max. +80°C |
| Working pressure | 50 - 1000 kPa |
| Connection size | Ø10 mm |
| Projection | 160 mm |
| Material | Brass |

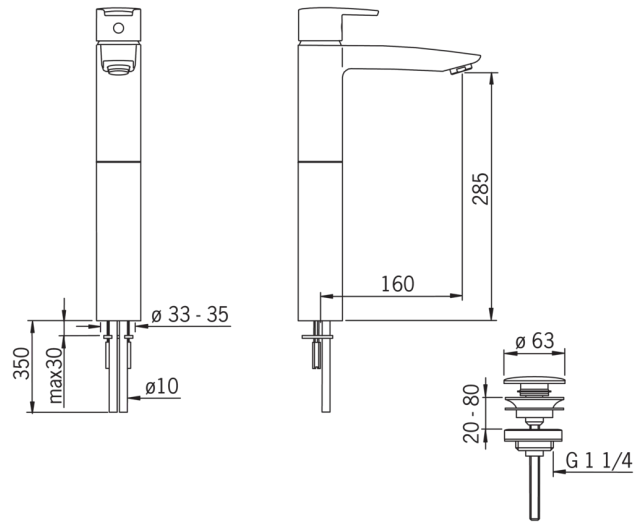
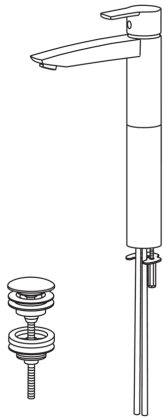
Regulations

| | |
|-------------|---------------------|
| EN standard | EN 817 |
| Noise class | I (ISO 3822) |

Type approvals

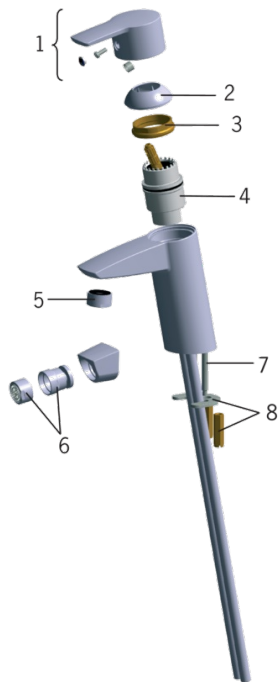
| | |
|-----------------|-------------------------|
| STF certificate | VTT-RTH-04951-08 |
| ETA-Danmark | VA 1.42/17872 |
| Sintef | Sintef Nr. 1322 |
| KIWA SE | 1564 |





Spare parts

SP2810



| | Name | Code |
|----|--------------------------------------|-----------|
| 01 | Lever | 159050V |
| 02 | Covering cap | 159053V |
| 03 | Tightening nut | 158726 |
| 04 | Cartridge | 158890 |
| 05 | Aerator, M24 x 1 STD HC A | 232211 |
| 06 | Aerator with ball joint, M24x1/M24x1 | 232511 |
| 07 | Fixing screw (10 pcs), M6x55 | 158727/10 |
| 08 | Fixing plates with nuts | 158697 |