

EAN: 6414150058257
static.oras.com/2804



Washbasin faucet with fixed spout, aerator and rapid pop-up waste.

- Washbasin
- Single-lever
- Deck mounted
- Chrome
- Fixed spout
- Standard aerator
- Single operating lever/handle, Hot/Cold symbols
- Push pop-up waste without draw-rod
- Limitation option for maximum temperature and flow-rate
- \varnothing 40 mm ceramic cartridge for flow and temperature control
- Copper inlet pipes

Technical data

Flow properties

Flow-rate at 300 kPa	0.2 l/s
Pressure loss with flow (0.1 l/s)	70 kPa

Technical properties

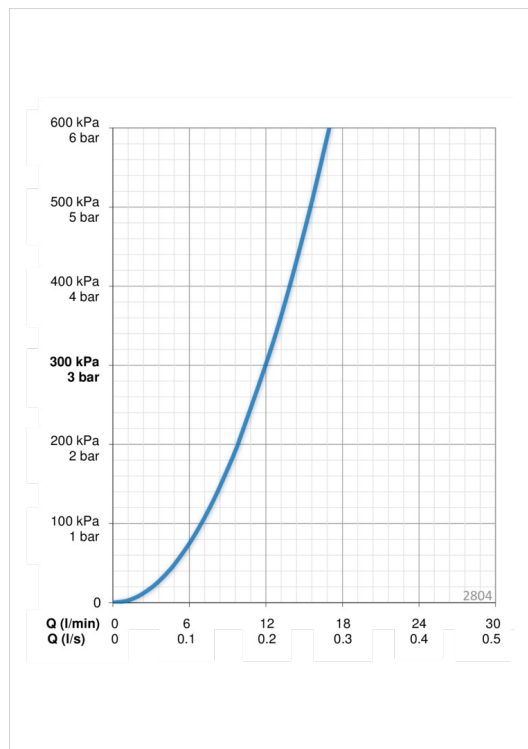
Hot water supply	max. +80°C
Working pressure	50 - 1000 kPa
Connection size	\varnothing10 mm
Projection	110 mm
Material	Brass

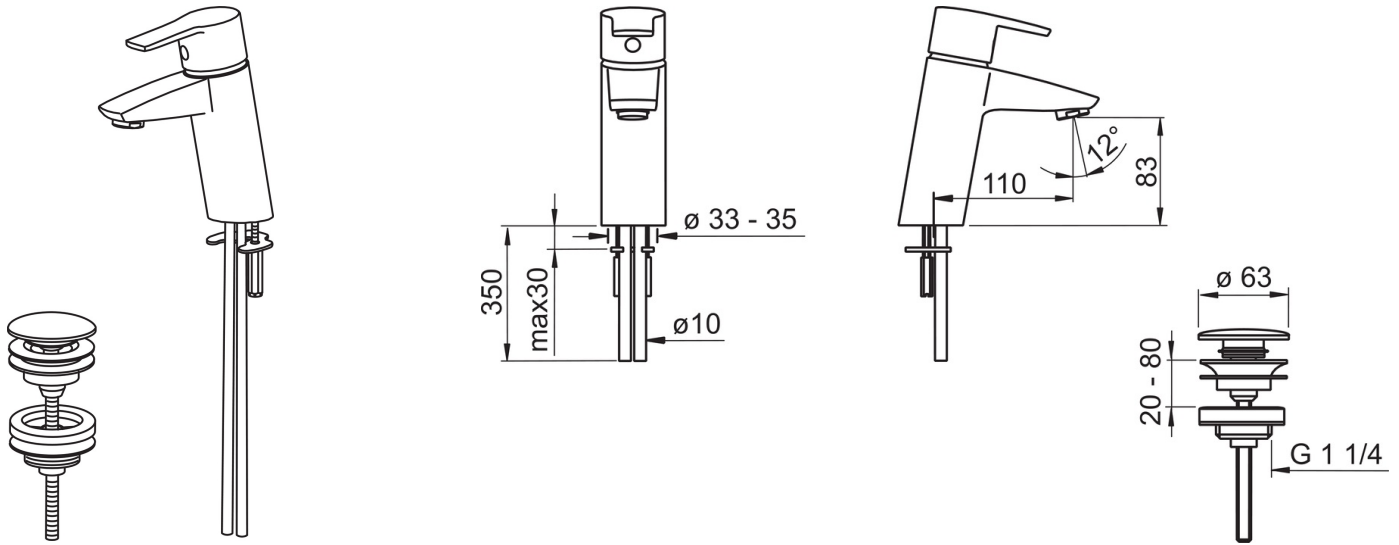
Regulations

EN standard	EN 817
Noise class	I (ISO 3822)

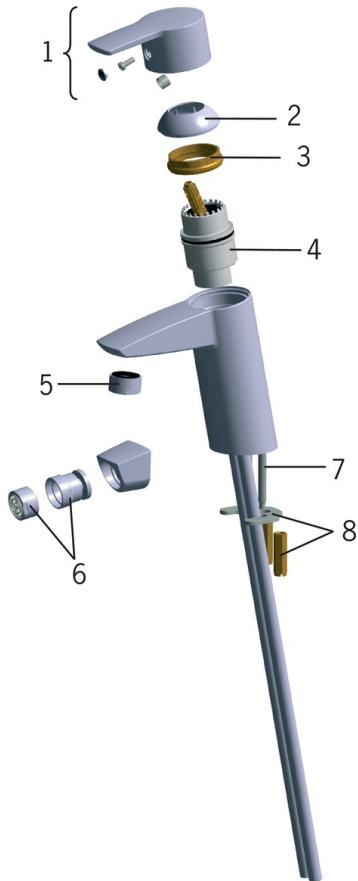
Approvals and Declarations

STF certificate	VTT-RTH-04951-08
ETA-Danmark	VA 1.42/17873
Sintef	Sintef Nr. 1322
KIWA SE	1564





Spare parts



SP2810

	Name	Code
01	Lever	159050V
02	Covering cap	159053V
03	Tightening nut	158726
04	Cartridge	158890
05	Aerator, M24 x 1 STD HC A	232211
06	Aerator with ball joint, M24x1/M24x1	232511
07	Fixing screw (10 pcs), M6x55	158727/10
08	Fixing plates with nuts	158697