

Washbasin faucet with fixed spout, aerator, rapid pop-up waste, Bidetta hand shower, shower hose and wall bracket.



- Washbasin
- Single-lever, Bidetta
- Deck mounted
- Chrome
- Fixed spout
- Standard aerator
- Single operating lever/handle, Hot/Cold symbols
- Push pop-up waste without draw-rod
- Shower holder, Shower hose (1500 mm)
- Bidetta hand shower
- Limitation option for maximum temperature and flow-rate
- $\varnothing$  40 mm ceramic cartridge for flow and temperature control
- Copper inlet pipes

## Technical data

### Flow properties

Flow-rate at 300 kPa	<b>0.14 l/s</b>
Pressure loss with flow (0.1 l/s)	<b>150 kPa</b>

### Technical properties

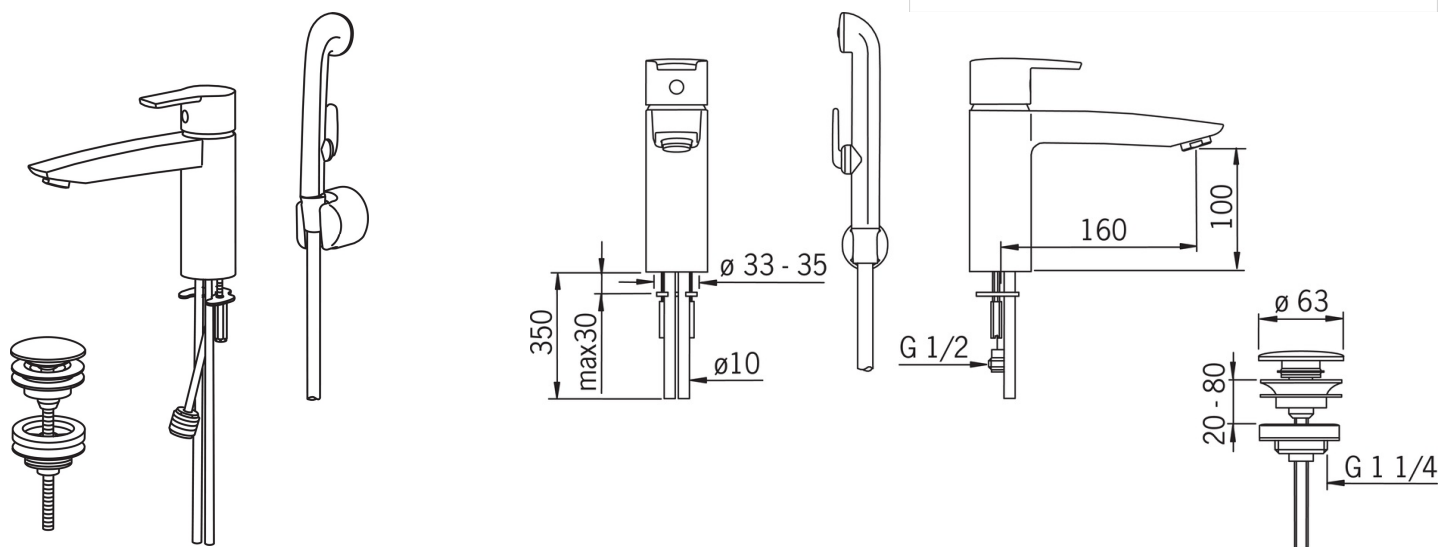
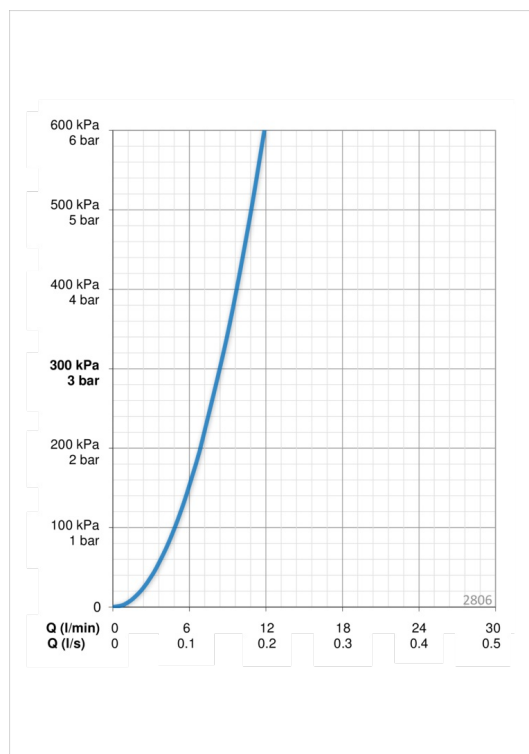
Hot water supply	<b>max. +80°C</b>
Working pressure	<b>50 - 1000 kPa</b>
Connection size	<b><math>\varnothing</math>10 mm</b>
Projection	<b>160 mm</b>
Material	<b>Brass</b>

### Regulations

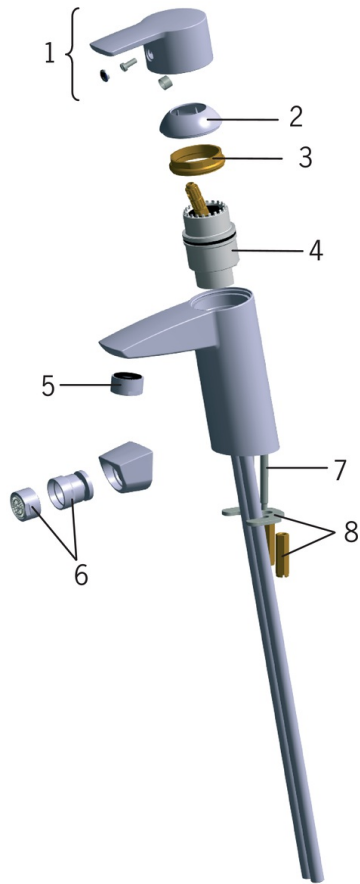
EN standard	<b>EN 817, EN 1113</b>
Noise class	<b>I (ISO 3822)</b>

### Approvals and Declarations

STF certificate	<b>VTT-RTH-04951-08</b>
KIWA SE	<b>1564</b>



## Spare parts



### SP2810

	Name	Code
01	Lever	159050V
02	Covering cap	159053V
03	Tightening nut	158726
04	Cartridge	158890
05	Aerator, M24x1 STD HC A	232211
06	Aerator with ball joint, M24x1/M24x1	232511
07	Fixing screw (10 pcs), M6x55	158727/10
08	Fixing plates with nuts	158697