

EAN: 6414150059896

www.oras.com/en/products/oras/product/2808F

Washbasin faucet with fixed spout, aerator, rapid pop-up waste, Bidetta hand shower, shower hose and wall bracket.

F = with flexible pipes

- Bathroom
- Single lever, Bidetta
- Deck mounted
- Chrome
- Fixed spout
- HONEYCOMB® - improved lime protection
- Single operating lever/handle
- Push pop-up waste without draw-rod
- Shower holder, Shower hose (1500 mm)
- Bidetta hand shower



Technical data

Flow properties

Flow-rate at 300 kPa	0.13 l/s
Pressure loss with flow (0.1 l/s)	175 kPa

Technical properties

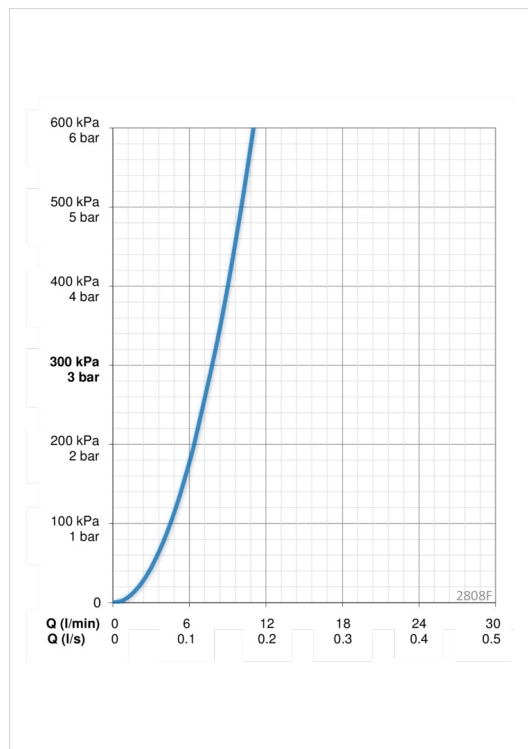
Hot water supply	max. +80°C
Working pressure	50 - 1000 kPa
Connection size	G3/8
Projection	110 mm
Material	brass

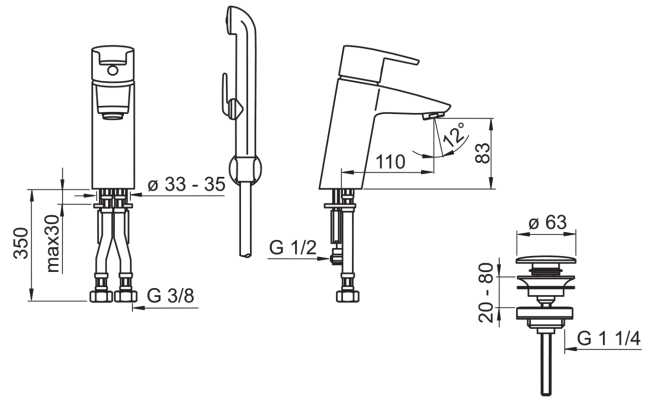
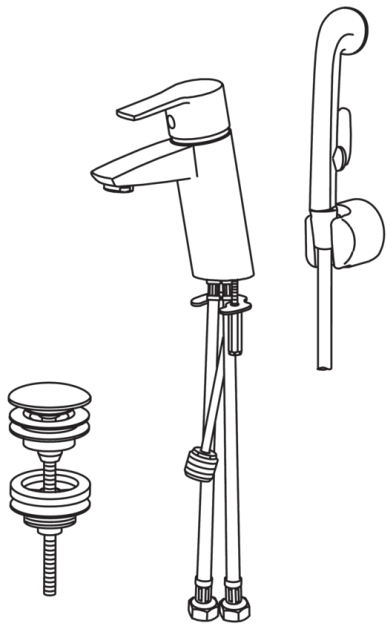
Regulations

EN standard	EN 817
Noise class	I (ISO 3822)

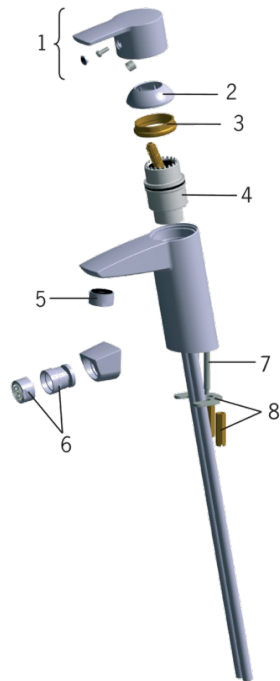
Type approvals

KIWA SE	1564
---------	-------------





Spare parts



SP2810

	Name	Code
01	Lever	159050V
02	Covering cap	159053V
03	Tightening nut	158726
04	Cartridge	158890
05	Aerator, M24 x 1 STD HC A	232211
06	Aerator with ball joint, M24x1/M24x1	232511
07	Fixing screw (10 pcs), M6x55	158727/10
08	Fixing plates with nuts	158697