

EAN: 6414150069826
static.oras.com/2824F-102



- Green Building
- Touchless, External transformer, Green Building
- Deck mounted
- Chrome
- Temperature control handle
- Adjustable hot water stop (included, retrofittable)
- Mixing valve for manual temperature control, Non-return valve(s), Litter filter(s)
- Autofocus infrared sensor, Solenoid valve
- Flexible inlet pipes

Technical data

Flow properties

Flow-rate at 300 kPa (with flow controller) **0.028 l/s**

Technical properties

Hot water supply **max. +70°C**
 Working pressure **100 - 1000 kPa**
 Connection size **G3/8**
 Material **Brass**

Software settings

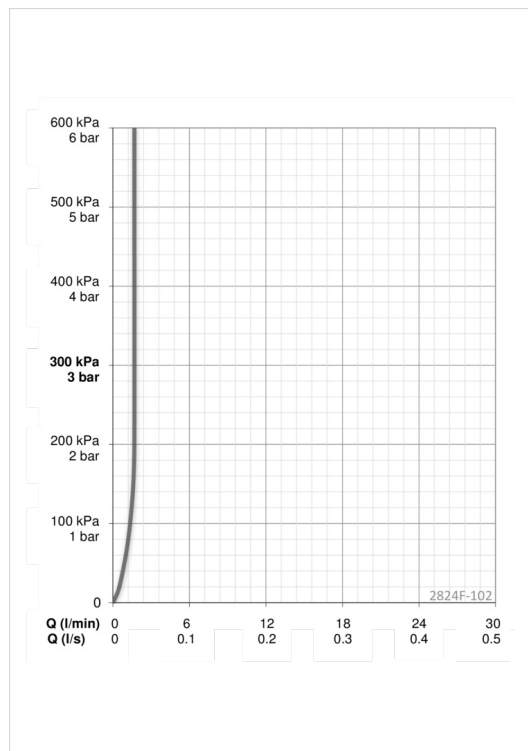
Afterflow period **2 s ± 1 s**
 Max. flow period **2 min**

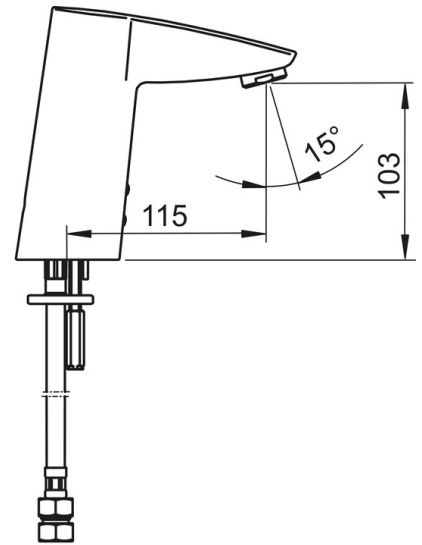
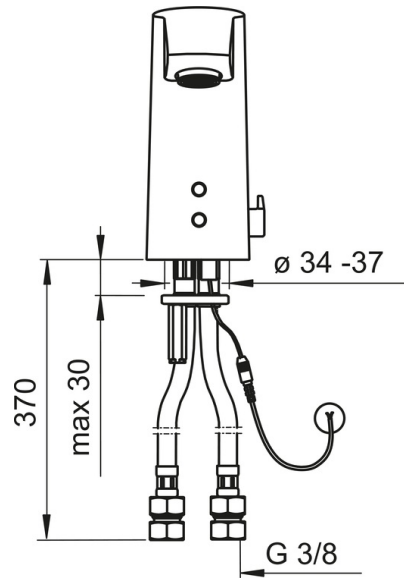
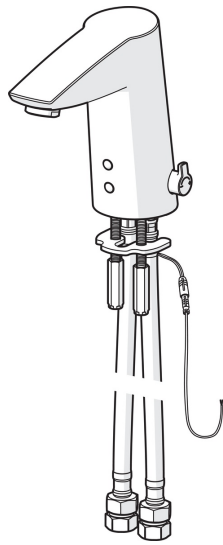
Electronic properties

Electrical Connection **12 V**

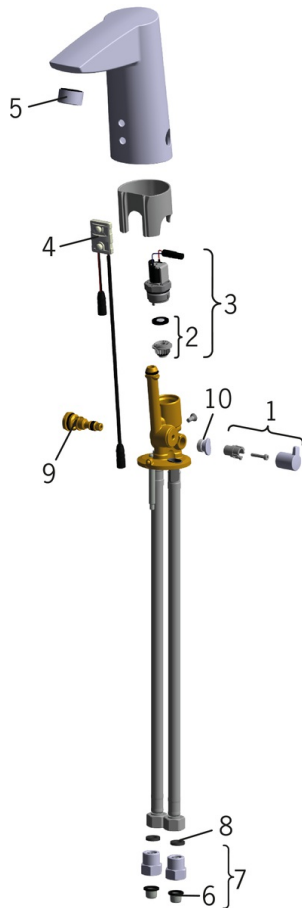
Regulations

EMC Directive **CE 2004/108/EC**
 EN standard **EN 15091**
 Noise class **I (ISO 3822)**
 Protection class **IP 55**





Spare parts



SP2824F-102

| Name | Code |
|-------------------------------------|-----------|
| 01 Temperature control handle | 600493V |
| 02 Membrane support ring | 199205V |
| 03 Solenoid valve | 199206V |
| 04 Sensor, Sensor Discontinued | 600839V |
| 05 Aerator, M24x1, -102 | 601255V |
| 06 Litter filters | 199257/2 |
| 07 One-way valve with litter screen | 198473/2 |
| 08 Gasket, 8x14.3x2 | 600705/10 |
| 09 Temperature regulator | 199201V |
| 10 Cover plug | 601141V |