

EAN: 6414150071393  
[static.oras.com/2838F-105](http://static.oras.com/2838F-105)



- Green Building
- Single-lever, Green Building
- Deck mounted
- Chrome
- Swivel range limiting option
- Standard aerator
- Single operating lever/handle, Hot/Cold symbols
- Limitation option for maximum temperature and flow-rate
- $\varnothing$  40 mm ceramic cartridge for flow and temperature control

## Technical data

### Flow properties

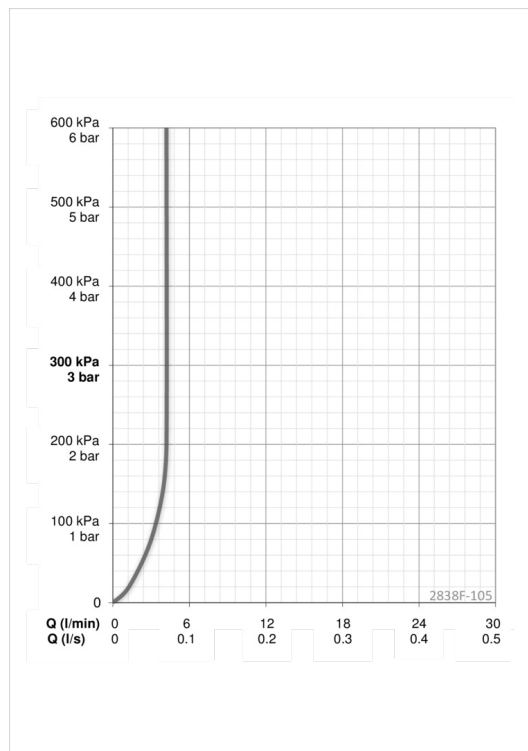
Flow-rate at 300 kPa (with flow controller) **0.07 l/s**

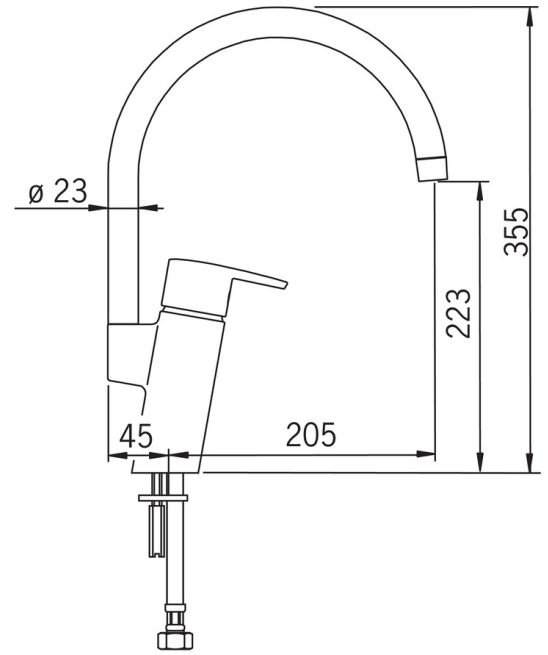
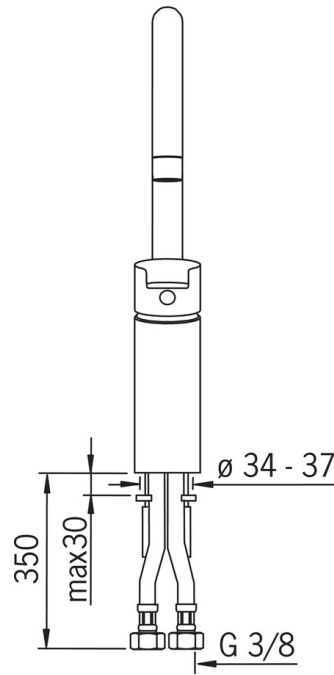
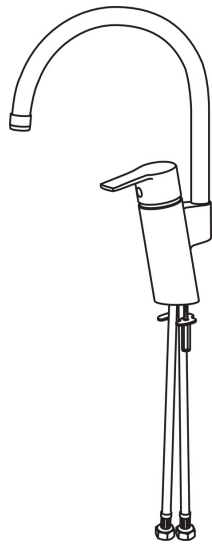
### Technical properties

Hot water supply **max. +80°C**  
 Working pressure **50 - 1000 kPa**

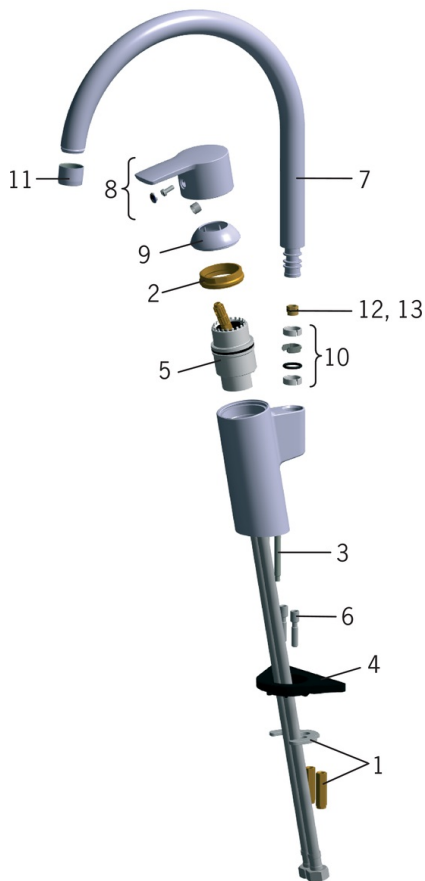
### Regulations

EN standard **EN 817**  
 Noise class **I (ISO 3822)**





## Spare parts



### SP2838F-105

Name	Code
01 Fixing plates with nuts	158697
02 Tightening nut	158726
03 Fixing screw (10 pcs), M6x65	158747/10
04 Supporting plate, 100x60mm	158825
05 Cartridge, Green building	600979V
06 Extension screw kit, M6	158893
07 Spout	159010V
08 Lever	159050V
09 Covering cap	159053V
10 Sealing kit	159499
11 Aerator, M22x1, -105	601167V
12 Spout overturning stopper, 120°	159670/10
13 Spout overturning stopper, 60° / 0°	159667/10
13 Spout overturning stopper, 60° / 0°	159667V