

EAN: 6414150071409  
[static.oras.com/2839F-105](http://static.oras.com/2839F-105)



- Green Building
- Single-lever, Battery-operated, Green Building, Dishwasher valve
- Deck mounted
- Chrome
- Swivel range limiting option
- Standard aerator
- Electronic stop valve for external equipment
- Single operating lever/handle, Hot/Cold symbols
- Limitation option for maximum temperature and flow-rate
- $\varnothing$  40 mm ceramic cartridge for flow and temperature control
- Solenoid valve, Light indicated function(s), Low battery indicator

## Technical data

### Flow properties

Flow-rate at 300 kPa (with flow controller) **0.07 l/s**

### Technical properties

Hot water supply **max. +70°C**  
 Working pressure **50 - 1000 kPa**

### Software settings

Dishwasher valve open period **4 h / 12 h**

### Electronic properties

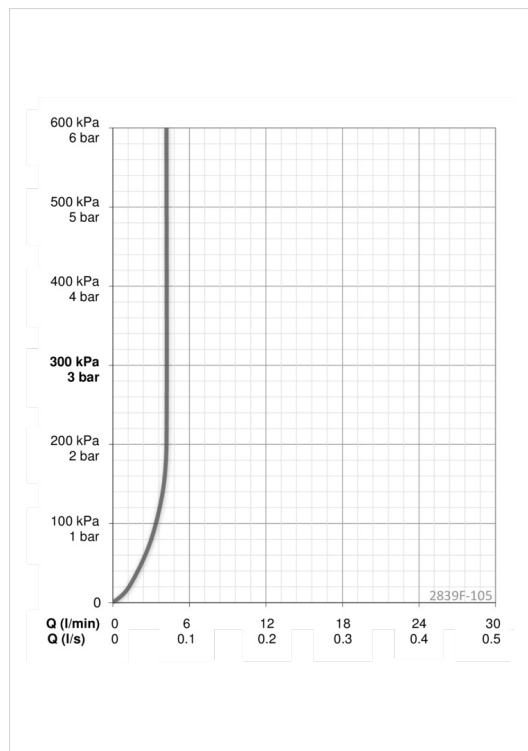
Battery **Lithium 2CR5 6 V**

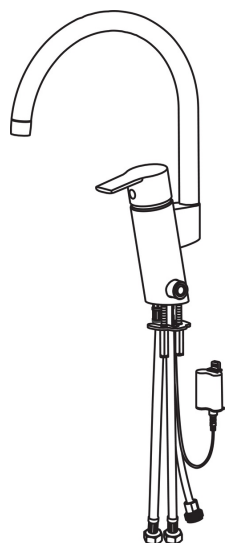
### Regulations

EMC Directive **C<sub>E</sub> 2004/108/EC**  
 EN standard **EN 15091 , EN 817**  
 Noise class **I (ISO 3822)**  
 Protection class **IP 55**

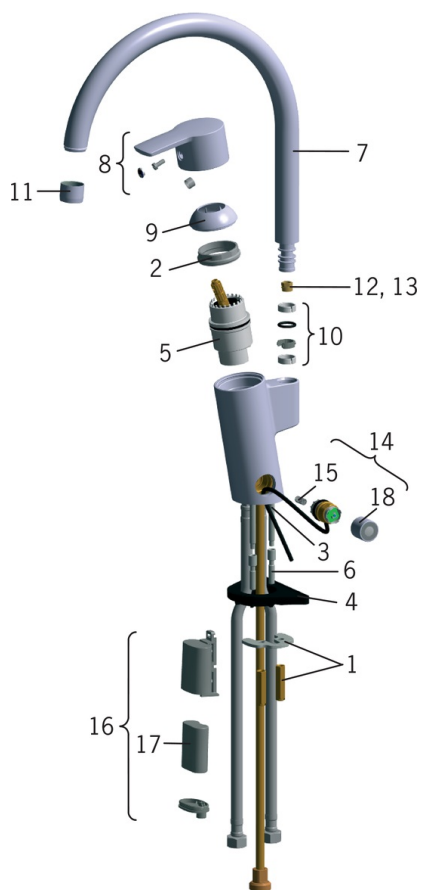
### Approvals and Declarations

UN38.3 **UN38-3 Maxell 2CR5**





## Spare parts



### SP2839F-105

| Name | Code                                |           |
|------|-------------------------------------|-----------|
| 01   | Fixing plates with nuts             | 158697    |
| 02   | Tightening nut                      | 158726    |
| 03   | Fixing screw (10 pcs), M6x65        | 158747/10 |
| 04   | Supporting plate, 100x60mm          | 158825    |
| 05   | Cartridge, Green building           | 600979V   |
| 06   | Extension screw kit, M6             | 158893    |
| 07   | Spout                               | 159010V   |
| 08   | Lever                               | 159050V   |
| 09   | Covering cap                        | 159053V   |
| 10   | Sealing kit                         | 159499    |
| 11   | Aerator, M22x1, -105                | 601167V   |
| 12   | Spout overturning stopper, 120°     | 159670/10 |
| 13   | Spout overturning stopper, 60° / 0° | 159667V   |
| 13   | Spout overturning stopper, 60° / 0° | 159667/10 |
| 14   | Solenoid valve                      | 600047V   |
| 15   | Litter filter                       | 600038V   |
| 16   | Battery casing                      | 199417V   |
| 17   | Lithium battery, 2CR5 6 V           | 198330    |
| 18   | Cap                                 | 600093V   |