

2839F Oras Cubista - Kitchen faucet with dishwasher valve, 6 V

EAN: 6414150059421

www.oras.com/en/products/oras/product/2839F



Kitchen faucet with high spout. Swivel spout, aerator and electronic dishwasher valve. Spout's swing angle is factory preset at 120° (can be limited to 0° or 60°).

Dishwasher valve closes automatically after 4 or 12 hours (one push opens the valve for 4 hours, pushing for 5 seconds opens the valve for 12 hours). Battery operated, 6 V.

F = with flexible pipes

- Kitchen
- Single-lever, Battery-operated
- Deck mounted
- Chrome
- Swivel spout, Swivel range limiting option
- HONEYCOMB® - improved lime protection
- Electronic stop valve for external equipment
- Single operating lever/handle, Hot/Cold symbols
- Limitation option for maximum temperature and flow-rate
- Litter filter(s), ø 40 mm ceramic cartridge for flow and temperature control
- Solenoid valve, Light indicated function(s), Low battery indicator
- Flexible inlet pipes

Technical data

Flow properties

Flow-rate at 300 kPa	0.2 l/s
Pressure loss with flow (0.2 l/s)	300 kPa

Technical properties

Hot water supply	max. +70°C
Working pressure	100 - 1000 kPa
Connection size	G3/8
Projection	205 mm
Material	Brass

Software settings

Dishwasher valve open period	4 h / 12 h
------------------------------	-------------------

Electronic properties

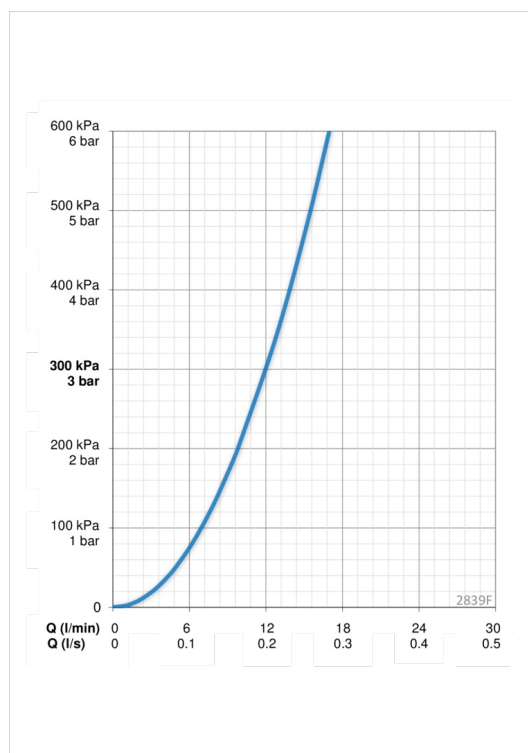
Battery	Lithium 2CR5 6 V
---------	-------------------------

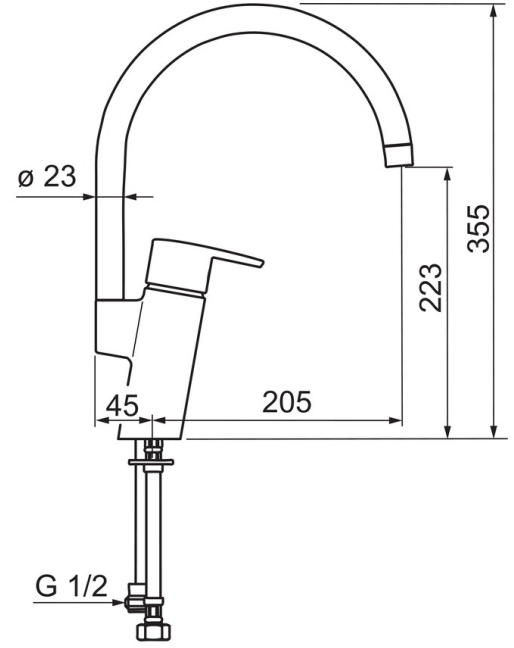
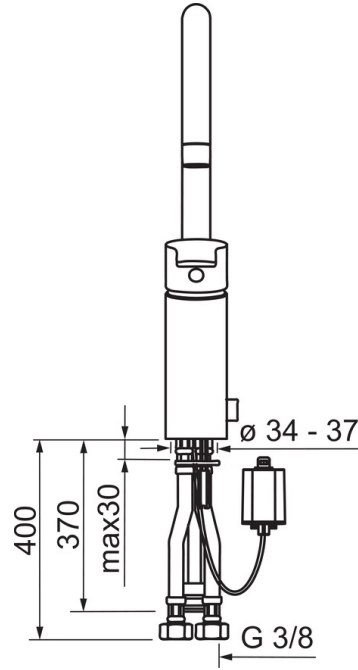
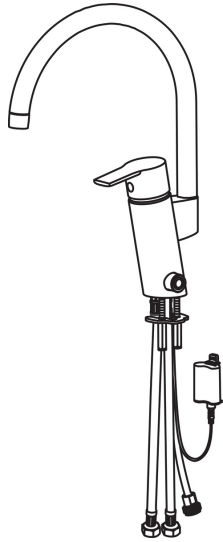
Regulations

EMC Directive	CE 2004/108/EY
EN standard	EN 15091 , EN 817
Noise class	I (ISO 3822)
Protection class	IP 55

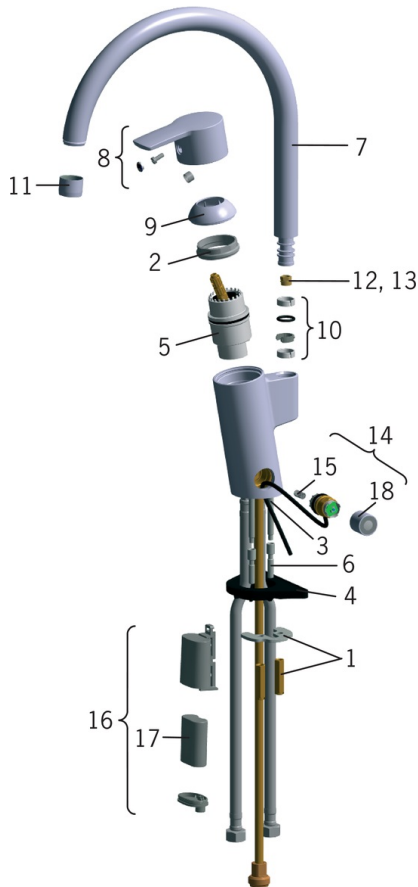
Type approvals

STF certificate	VTT-RTH-04950-08
ETA-Danmark	VA 1.42/17876
Sintef	Sintef Nr. 1323
KIWA SE	1565





Spare parts



SP2839F

Name	Code
01 Fixing plates with nuts	158697
02 Tightening nut	158726
03 Fixing screw (10 pcs), M6x65	158747/10
04 Supporting plate, 100x60mm	158825
05 Cartridge	158890
06 Extension screw kit, M6	158893
07 Spout	159010V
08 Lever	159050V
09 Covering cap	159053V
10 Sealing kit	159499
11 Aerator, M22x1	232201
12 Spout overturning stopper, 120°	159670/10
13 Spout overturning stopper, 60°/0°	159667V
13 Spout overturning stopper, 60°/0°	159667/10
14 Solenoid valve	600047V
15 Litter filter	600038V
16 Battery casing	199417V
17 Lithium battery, 2CR5 6 V	198330
18 Cap	600093V