

EAN: 6414150073441  
[static.oras.com/2900F](http://static.oras.com/2900F)

Washbasin faucet with pop-up waste, fixed spout and an aerator. There are also in-built limitation options for water temperature and maximum flow-rate. F = with flexible pipes



- Washbasin
- Single-lever
- Deck mounted
- Chrome
- Fixed spout
- Standard aerator
- Single operating lever/handle, Hot/Cold symbols
- Pop-up waste with draw-rod
- Limitation option for maximum temperature and flow-rate
- $\varnothing$  35 mm ceramic cartridge for flow and temperature control
- Flexible inlet pipes
- Rapid installation system

## Technical data

### Flow properties

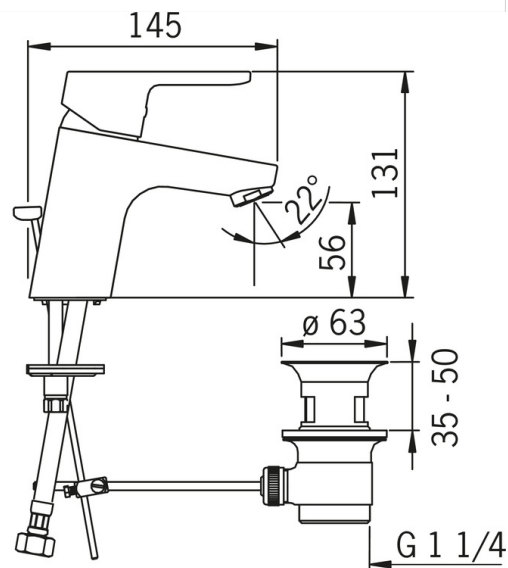
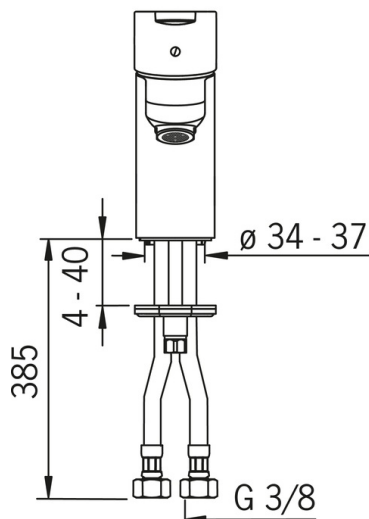
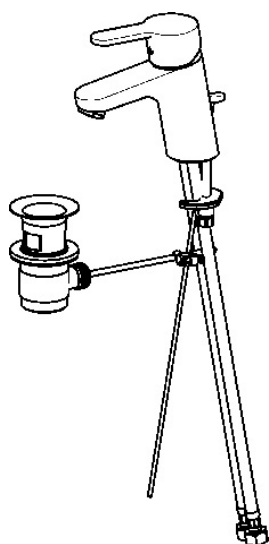
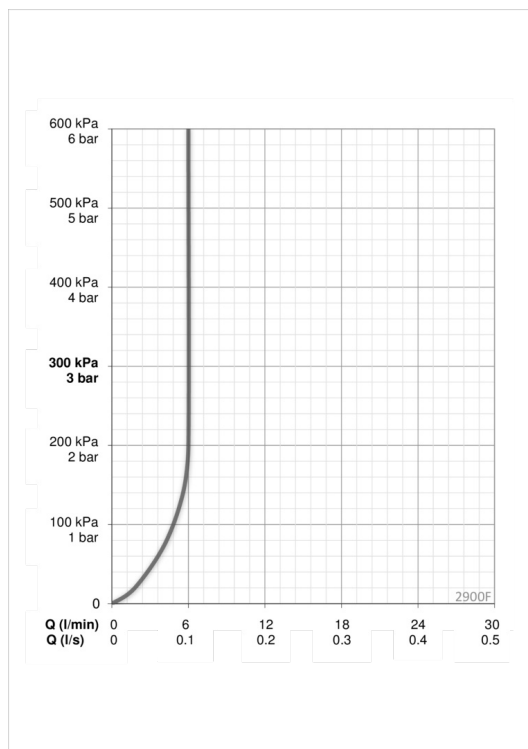
Flow-rate at 300 kPa (with flow controller) **0.11/s**

### Technical properties

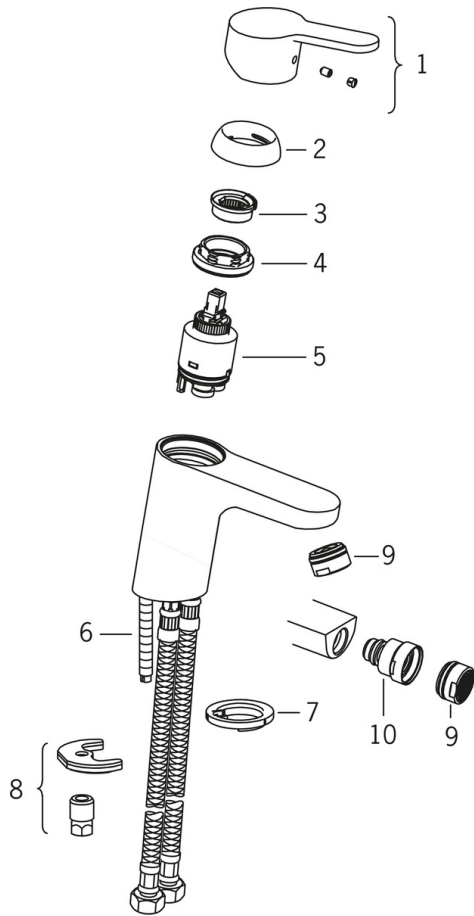
Hot water supply **max. +70°C**  
 Working pressure **100 - 1000 kPa**  
 Connection size **G3/8**  
 Projection **107 mm**  
 Material **Brass**

### Regulations

EN standard **EN 817**  
 Noise class **I (ISO 3822)**



## Spare parts



### SP2900F

	Name	Code
01	Lever	601966V
02	Covering cap	601967V
03	Temperature adjustment limiter	601973V
04	Tightening nut, M40x1, SW30	601968V
05	Cartridge, 3.5 Classic	601969V
06	Fixing screw, M8x1, L=140	601970V
07	Bottom seal	1002371V
08	Fixing set	601972V
09	Aerator, M24x1, 6 l/min	601974V
10	Ball joint for bidet faucet	601976V