

EAN: 6414150082542
static.oras.com/3007C



Cover part for touchless, concealed thermostatic washbasin faucet with a temperature limiter. Mains supply 230/12 V. Body part no. 2207A is sold separately.

- Washbasin
- Touchless, Trim Kit
- Concealed wall mounting
- Chrome
- Hidden aerator
- Temperature control handle
- Autofocus infrared sensor, External control unit, Power supply, Light indicated function(s)
- Software settings adjustable via magnetic key
- Squarewallrosette

Technical data

Flow properties

Flow-rate at 300 kPa	0.11 l/s
Pressure loss with flow (0.1 l/s)	250 kPa

Technical properties

Hot water supply	max. +70°C
Working pressure	100 - 1000 kPa
Projection	195 mm
Material	Brass

Software settings

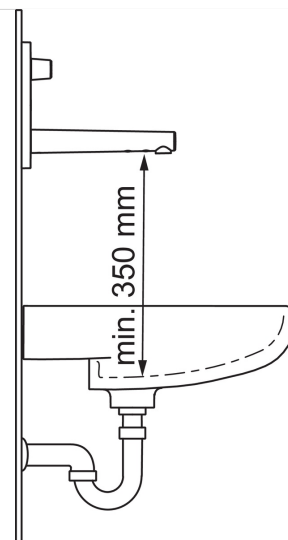
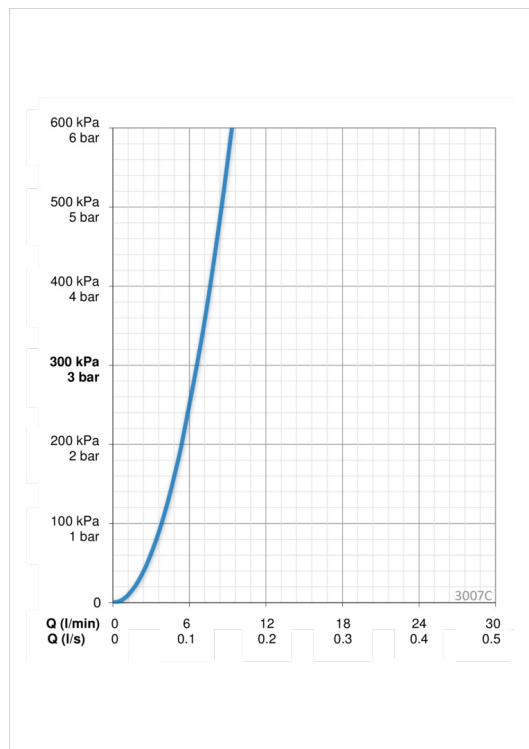
Afterflow period	2 s ± 1 s (1/2/3/4/8 s)
Automatic flush	off (off/12/24/48/72 h)
Automatic flush period	30 s (10/30/60/120/180/240/300/600 s)
Max. flow period	120 s (10/30/60/120/300 s)

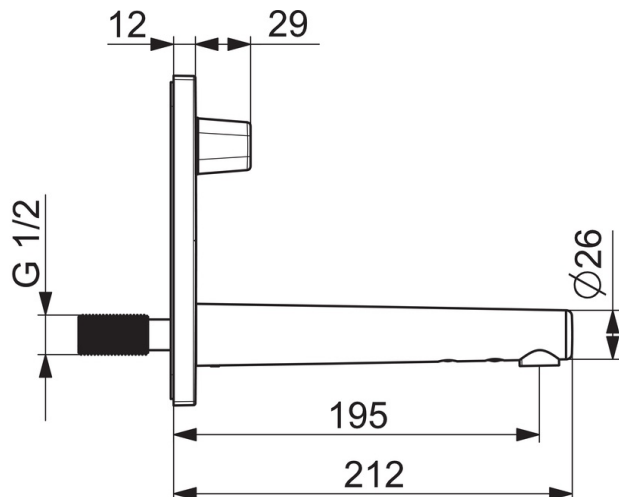
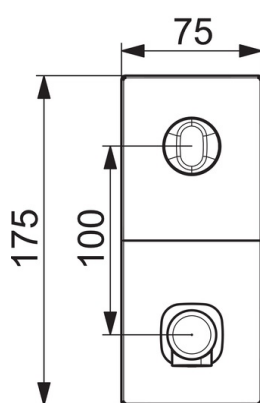
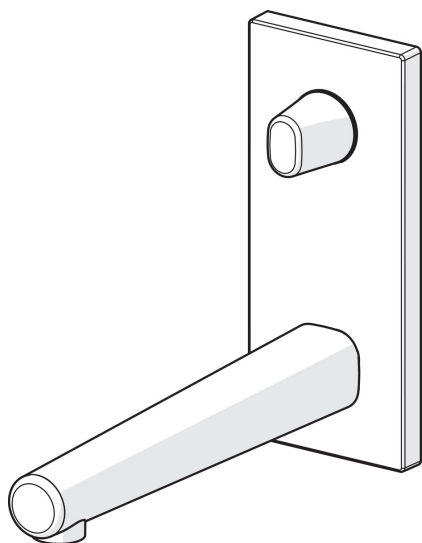
Electronic properties

Electrical Connection	230 / 12 V
-----------------------	-------------------

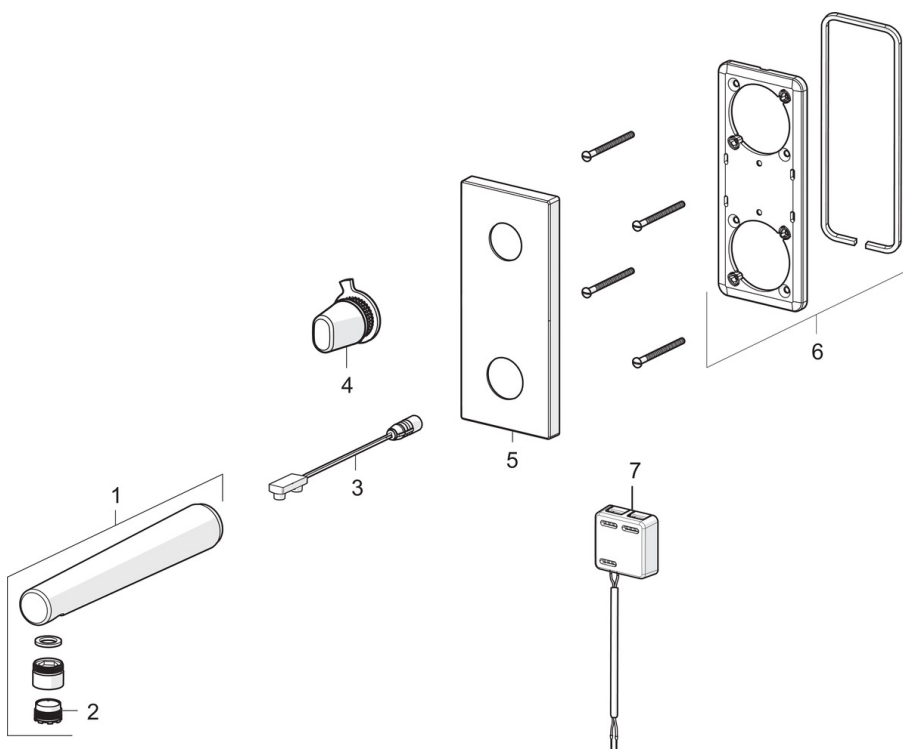
Regulations

EMC Directive	C E 2014/30/EU
EN standard	EN 15091
Noise class	I (ISO 3822) Oras lab.
Protection class	IP 55 / transformer IP 20





Spare parts



SP2207C

	Name	Code
01	Spout, (3007C)	1002525V
01	Spout, (2207C) Discontinued	602122V
02	Aerator, M18.5x1 Z	600961V
03	Sensor, 6 V	602034V
04	Temperature control handle Discontinued	602343V
05	Cover plate Discontinued	602344V
06	Cover plate holder	602345V
07	Control unit, 12 V	602214V