

EAN: 6414150082573

www.oras.com/en/products/oras/product/3018F



Bidet faucet with fixed spout, ball-joint aerator and pop-up waste. There are also in-built limitation options for water temperature and maximum flow-rate.

F = with flexible pipes

- Bathroom
- Single-lever
- Deck mounted
- Chrome
- PCA® - constant flow rate regardless of pressure variations, HONEYCOMB® - improved lime protection, CACHÉ® - hidden aerator without housing, Ball joint
- Single operating lever/handle, Hot/Cold symbols
- Limitation option for maximum temperature and flow-rate
- ø 40 mm ceramic cartridge for flow and temperature control
- Flexible inlet pipes
- 3S-installation system for safe and simple mounting

Technical data

Flow properties

Flow-rate at 300 kPa (with flow controller)	0.1 l/s
Pressure loss with flow (0.1 l/s)	100 kPa

Technical properties

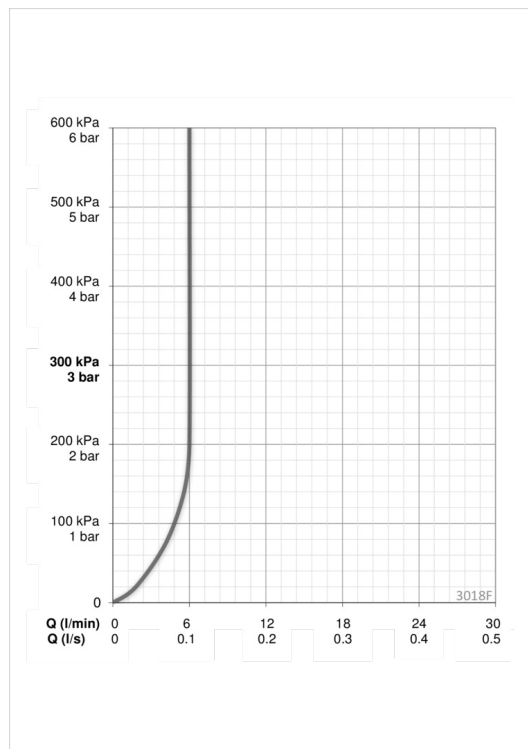
Hot water supply	max. +80°C
Working pressure	50 - 1000 kPa
Connection size	G3/8
Projection	117 mm
Material	Brass

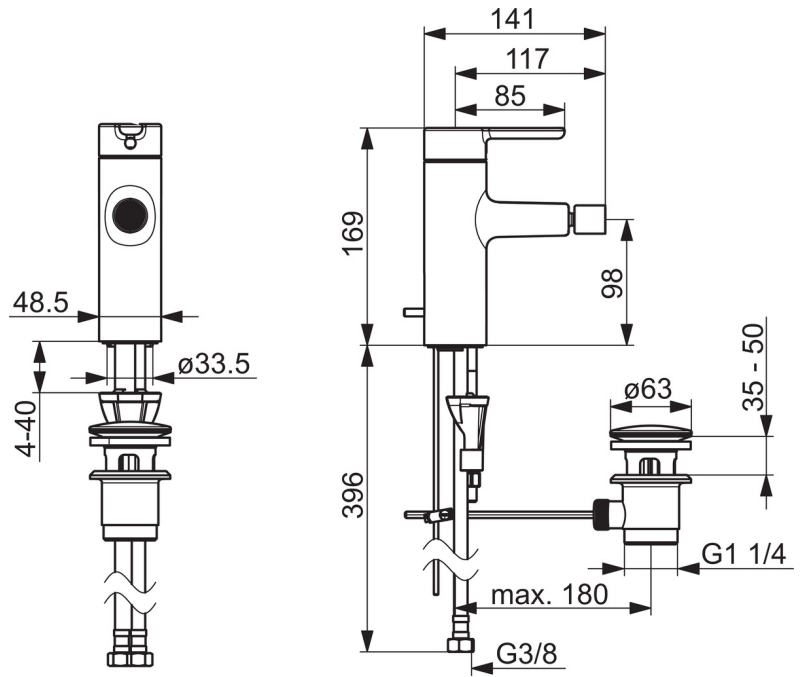
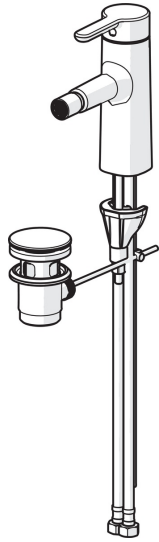
Regulations

EN standard	EN 817
Noise class	I (ISO 3822)

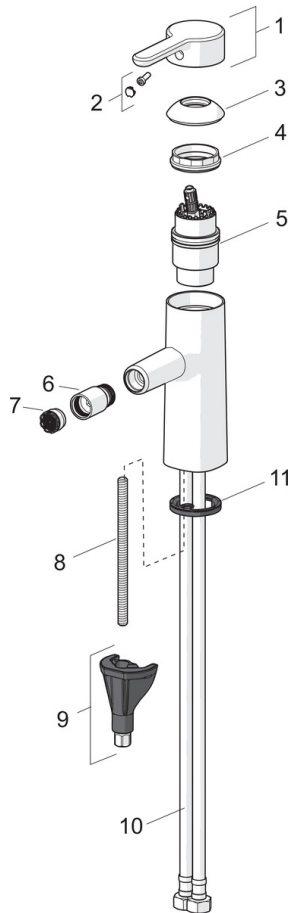
Type approvals

KIWA SE	1584
---------	-------------





Spare parts



SP3018F

	Name	Code
01	Lever	1003074V
02	Symbol plug	1002323V
03	Covering cap	1001740V
04	Tightening nut	158726
05	Cartridge	158890
06	Swivel joint, M18.5x1	602686V
07	Aerator, M18.5x1, TJ	602671V
08	Fixing screw, M8x1, L=130	1000780V
09	Fixing set	602610V
10	Flexible pipe, L=475, G3/8-M10x1 LH	1001515V
11	Bottom seal	601971V